

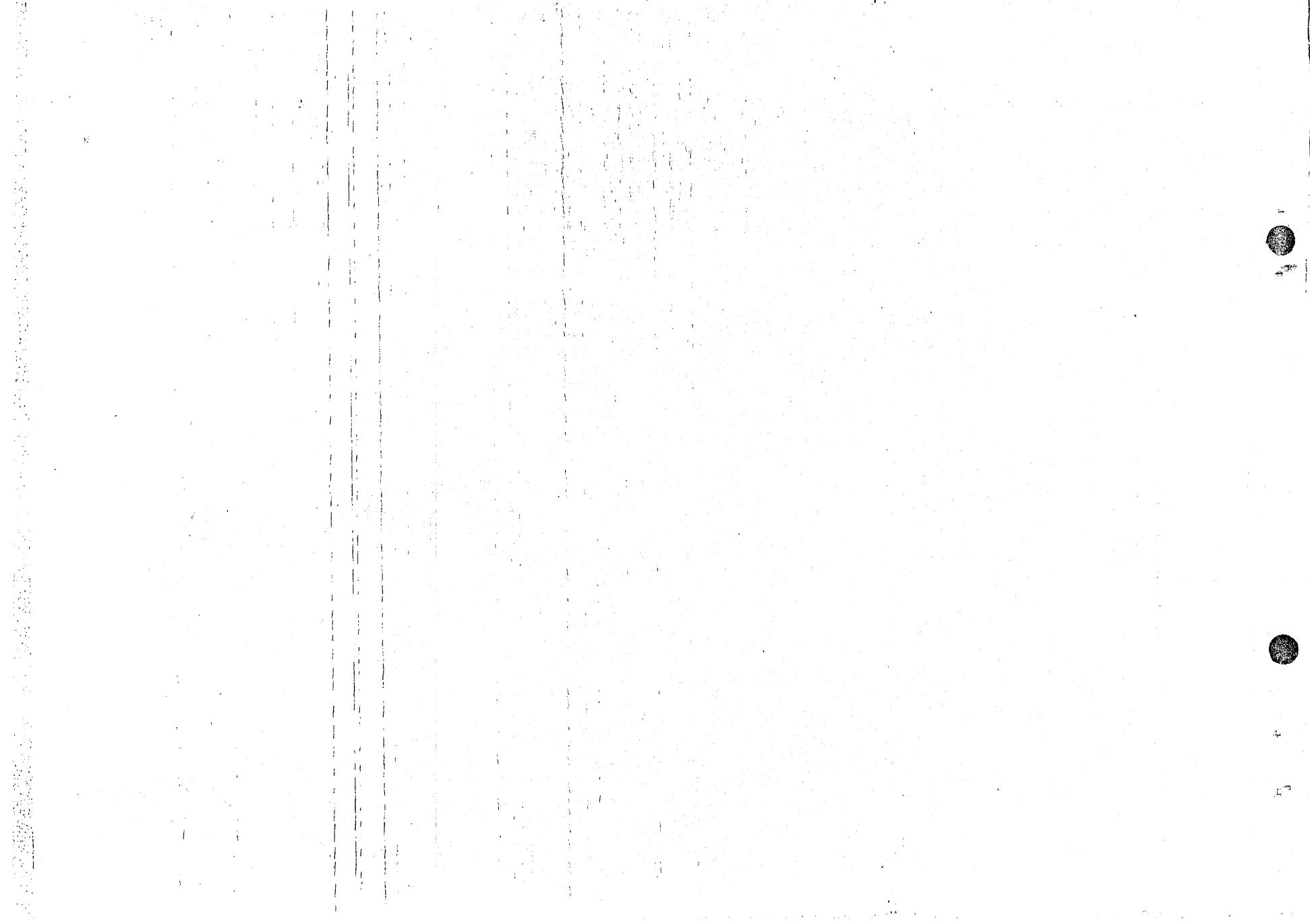
YAMAHA

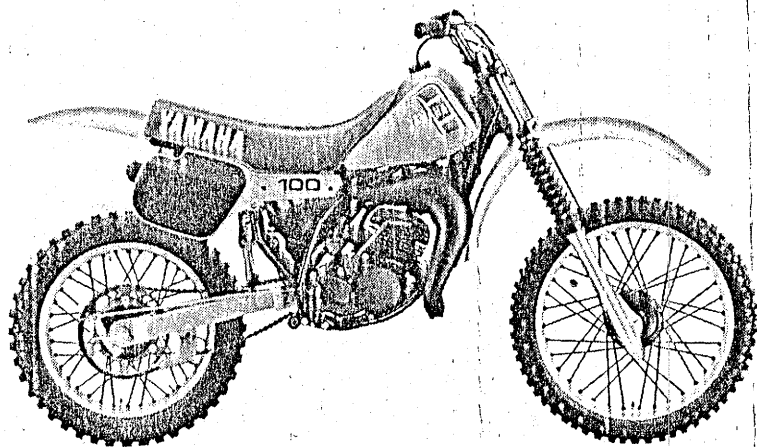
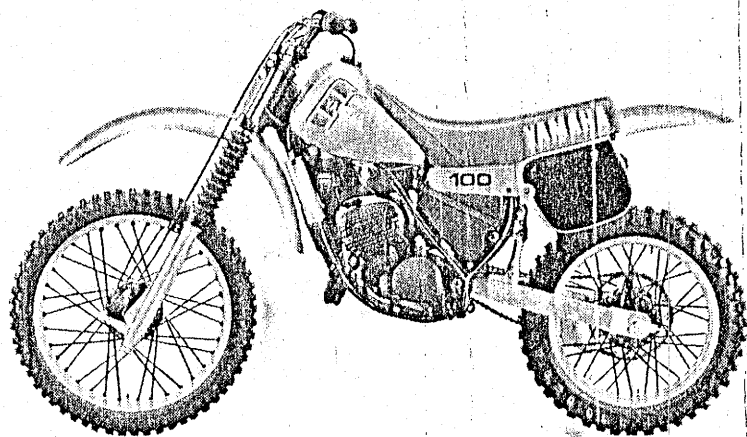
PARTS CATALOGUE

保 管 用
用 濟 次 第
乞 御 返 却
技 術 係

YZ100J (5X3)

125X3-300E1







FOREWORD

This Parts Catalogue is related to the parts in use for the Yamaha YZ 100J (5X3).
When you are ordering replacement parts for the YZ 100J (5X3), refer to this Parts Catalogue and quote both part numbers and part names correctly.

1. Modifications or additions which have been made after issue of the Parts Catalogue will be announced in the Yamaha Parts News.
It is advisable that according to the Yamaha Parts News you make necessary corrections to the Parts Catalogue on hand to keep it up-to-date.

2. Abbreviations

The following abbreviations are used in this Parts Catalogue.

- U.R. Use size (thickness) and/or number as required.
- U.N. Use as many as you need.
- A.P. Alternate Parts
- L.M. Local Made
- F# Frame No. (Applicable machine No.)

3. The parts marked with (+) in the parts number column of this Catalogue are not supplied with by Yamaha, those have to be found locally.
4. Parts, which are to be supplied in the form of assemblies, are listed with an indentation of one letter's space, and a dot (.) is put against the name of each part.

EXAMPLE
 . CARBURETOR ASS'Y
 . JET, pilot
 . NOZZLE, main

5. Indication of No. of constituent parts for assembly

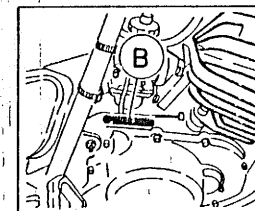
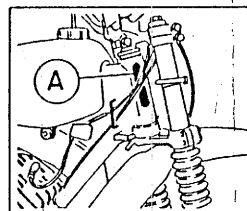
The numeral appearing to the right of each constituent part under the description indicates the quantity of such parts for each individual assembly unit.

EXAMPLE

Part No.	Description	Q'ty	Remarks
2F5-83310-60	FRONT FLASHER LIGHT ASS'Y	2	
115-83311-60	. BULB (6V-18W)	1	
1M1-83309-60	. REFLECTOR	1	

6. Initial Serial No. and Color Code

(A) Frame Serial No.	5X3-000101 and following
(B) Engine Serial No.	5X3-000101 and following



Color Code	Color Name	Abbreviate
	Clean White	

7. Applicable colors of graphics are represented in the "Remarks" column by the letter(s) appropriately picked out of the full word(s) showing such colors.

EXAMPLE

Part No.	Description	Q'ty	Remarks
2N4-24110-00-X5	FUEL TANK COMP.	1	MAXIM RED
3J1-24240-10	. GRAPHIC, fuel tank set	1	for MXR

CONTENTS

ENGINE

Fig. 1	Cylinder	1
Fig. 2	Crankshaft · Piston	2
Fig. 3	C.D.I Magneto	3
Fig. 4	Intake	4
Fig. 5	Carburetor	6
Fig. 6	Exhaust	8
Fig. 7	Crankcase	9
Fig. 8	Crankcase Cover	10
Fig. 9	Kick Starter	11
Fig. 10	Clutch	12
Fig. 11	Transmission	14
Fig. 12	Shift Cam · Fork	16
Fig. 13	Shift Shaft · Pedal	17

CHASSIS

Fig. 14	Frame · Tool	18
Fig. 15	Front Fender · Rear Fender	19
Fig. 16	Side Cover	20
Fig. 17	Rear Arm	21
Fig. 18	Rear Suspension	23
Fig. 19	Steering	25
Fig. 20	Front Fork	26
Fig. 21	Fuel Tank	28
Fig. 22	Seat	29
Fig. 23	Front Wheel	30
Fig. 24	Rear Wheel	31
Fig. 25	Handlebar · Cable	33
Fig. 26	Stand · Footrest	34
Fig. 27	Electrical 1	35
Fig. 28	Handle Switch · Lever	36

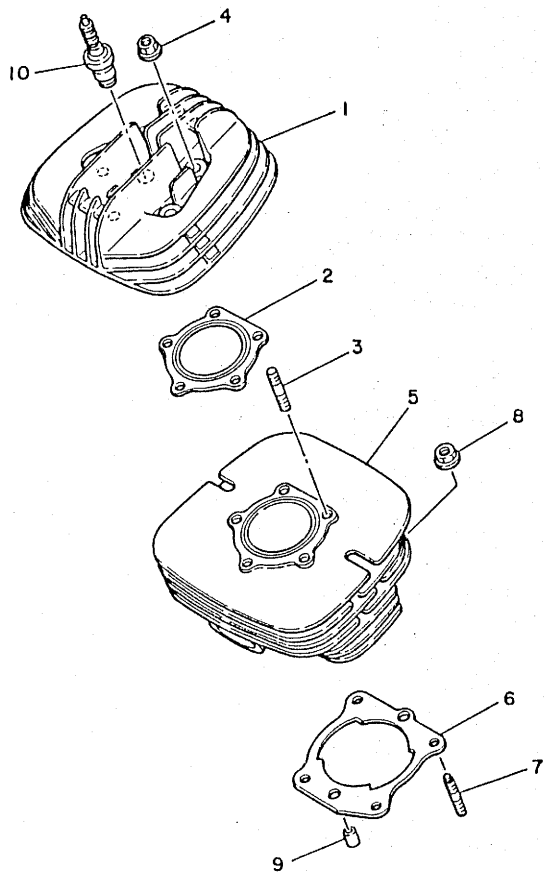
REPAIR KIT

Fig. 29	Repair Kit	37
---------	------------------	----

INDEX

Numerical Index
Parts Name Index

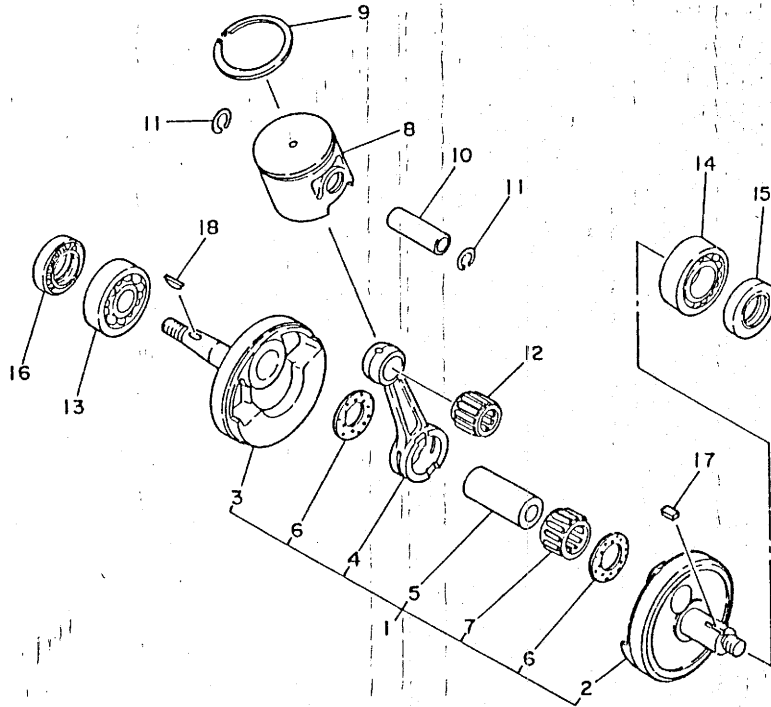
FIG. 1 CYLINDER HEAD. CYLINDER



REF. NO.	PART NO.	DESCRIPTION	Q'TY	REMARKS
1	5X3-11111-00	HEAD, cylinder 1	1	
2	5X3-11181-00	GASKET, cylinder head 1	1	
3	90116-08394	BOLT, stud	5	
4	90179-08299	NUT	5	
5	5X3-11311-00	CYLINDER 1	1	
6	4V2-11351-00	GASKET, cylinder	1	
7	90116-10278	BOLT, stud	4	
8	90179-10292	NUT	4	
9	91830-21014	PIN, dowel	2	
10	*	PLUG, sPark (CHAMPION N-84)	1	LM

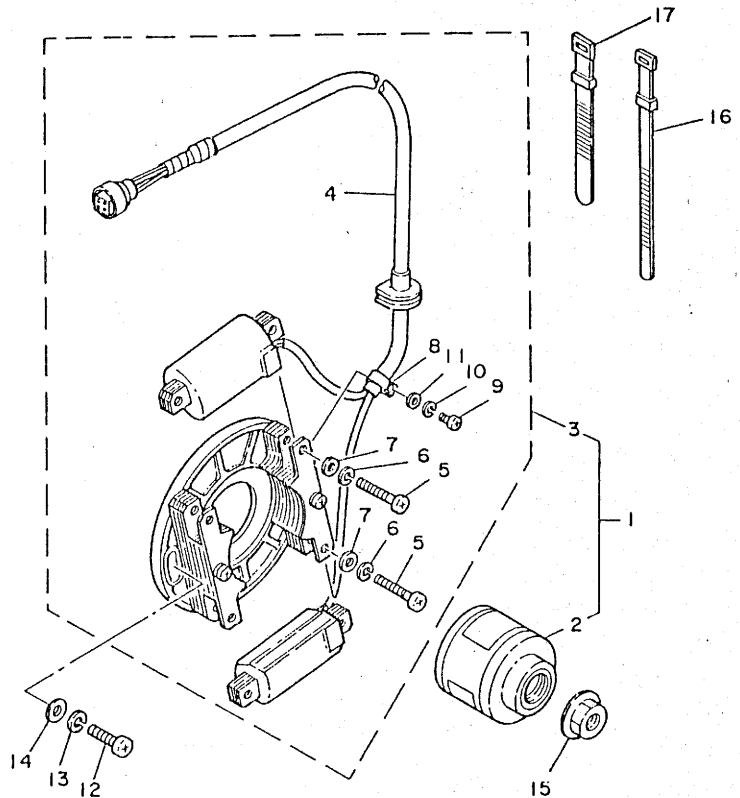
94700-00199
 94700-00300 ~ 86

FIG. 2 CRANKSHAFT, PISTON



REF. NO.	PART NO.	DESCRIPTION	Q'TY	REMARKS
1	3R3-11400-00	CRANKSHAFT ASSY	1	
2	3R3-11412-00	•CRANK 1	1	
3	4V2-11422-00	•CRANK 2	1	
4	4V2-11651-00	•ROD, connecting	1	
5	3M5-11681-00	•PIN, crank 1	1	
6	90209-22071	•WASHER	2	
7	93310-422H0	•BEARING, cylindrical	1	
8	5X3-11631-00-97	PISTON (STD)	1	UR
	5X3-11631-00-98	PISTON (STD)	1	UR
	5X3-11635-00	PISTON (1ST O/S 0.25MM)	1	AP
	5X3-11636-00	PISTON (2ND O/S 0.50MM)	1	AP
	5X3-11637-00	PISTON (3RD O/S 0.75MM)	1	AP
	5X3-11638-00	PISTON (4TH O/S 1.00MM)	1	AP
9	5X3-11611-00	RING, Piston	1	
	5X3-11611-10	RING, Piston	1	AP
	5X3-11611-20	RING, Piston	1	AP
	5X3-11611-30	RING, Piston	1	AP
	5X3-11611-40	RING, Piston	1	AP
10	1J4-11633-00	PIN, Piston	1	
11	93450-17025	CIRCLIP	2	
12	93310-216J2	BEARING, cylindrical	1	
13	93306-30406	BEARING (B6304C3)	1	
14	93306-20529	BEARING (B6205C4)	1	
15	93103-28126	OIL SEAL	1	
16	93102-25258	OIL SEAL	1	
17	90282-05038	KEY, straight	1	
18	90280-03017	KEY, woodruff	1	

FIG. 3 C.D.I MAGNETO



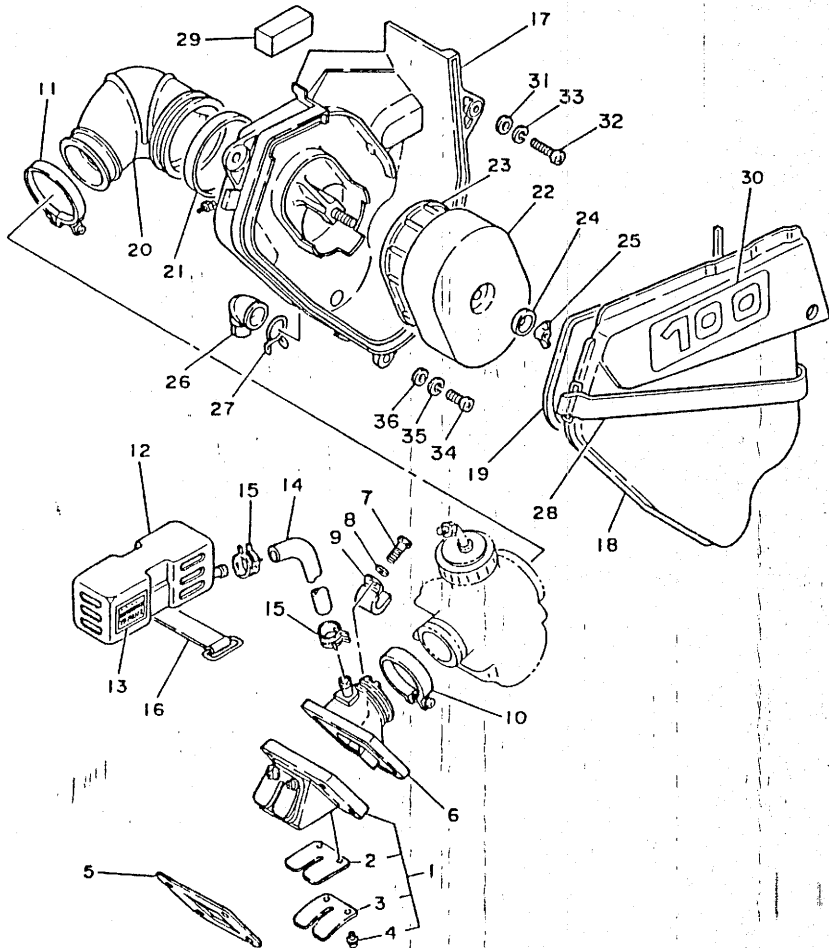
REF. NO.	PART NO.	DESCRIPTION	Q'TY	REMARKS
1	5X3-85500-10	C.D.I. MAGNETO ASSY	1	
2	5X3-85550-10	..ROTOR ASSY	1	
3	5X3-85510-11	..STATOR ASSY	1	
4	5X3-85520-10	..COIL, charge	1	
5	98501-05030	..SCREW, Pan head	6	
6	92901-05100	..WASHER, sPring	6	
7	92901-05600	..WASHER, Plate	6	
8	109-81328-11	..CLAMP	1	
9	98501-04008	..SCREW, Pan head	1	
10	92901-04100	..WASHER, sPring	1	
11	92901-04600	..WASHER, Plate	1	
12	92501-08020	SCREW, Pan head	2	
13	92901-06100	WASHER, sPring	2	
14	92901-06600	WASHER, Plate	2	
15	90179-10257	NUT	1	
16	437-83936-00	BAND, switch cord	3	
17	437-83936-10	BAND, switch cord	1	

FWZ
5X3100-2030

B4

FIG. 4 INTAKE

REF. NO.	PART NO.	DESCRIPTION	Q'TY	REMARKS
1	1L8-13610-00	REED VALVE ASSY	1	
2	1L8-13613-00	REED, valve	2	
3	311-13616-01	STOPPER, reed valve	2	
4	97602-03108	SCREW, Pan head with washer	4	
5	311-13621-01	GASKET, valve seat	1	
6	5X3-13565-00	JOINT, carburetor	1	
7	97301-06025	BOLT	4	
8	92901-06600	WASHER, Plate	4	
9	90462-05005	CLAMP	1	
10	90460-43053	CLAMP, hose	1	
11	90460-58141	CLAMP, hose	1	
12	5X2-13581-00	CHAMBER, air	1	
13	4V3-1441K-00	EMBLEM	1	
14	90445-15612	HOSE	1	
15	90467-16063	CLIP	2	
16	2T4-82131-00	BAND, battery	1	
17	5X3-14411-00	CASE, air cleaner 1	1	
18	5X3-14412-10	CAP, cleaner case 1	1	
19	5X4-14452-00	SEAL	1	
20	5X3-14453-00	JOINT, air cleaner 1	1	
21	90460-75020	CLAMP, hose	1	
22	5X4-W1442-00	ELEMENT, air cleaner	1	
23	5X4-14458-00	GUIDE	1	
24	2X4-14468-00	PLATE, element fitting	1	
25	90175-06012	NUT, wing	1	
26	1W1-14457-01	SEAL	1	
27	90467-20030	CLIP	1	
28	5X3-14455-00	BAND	1	

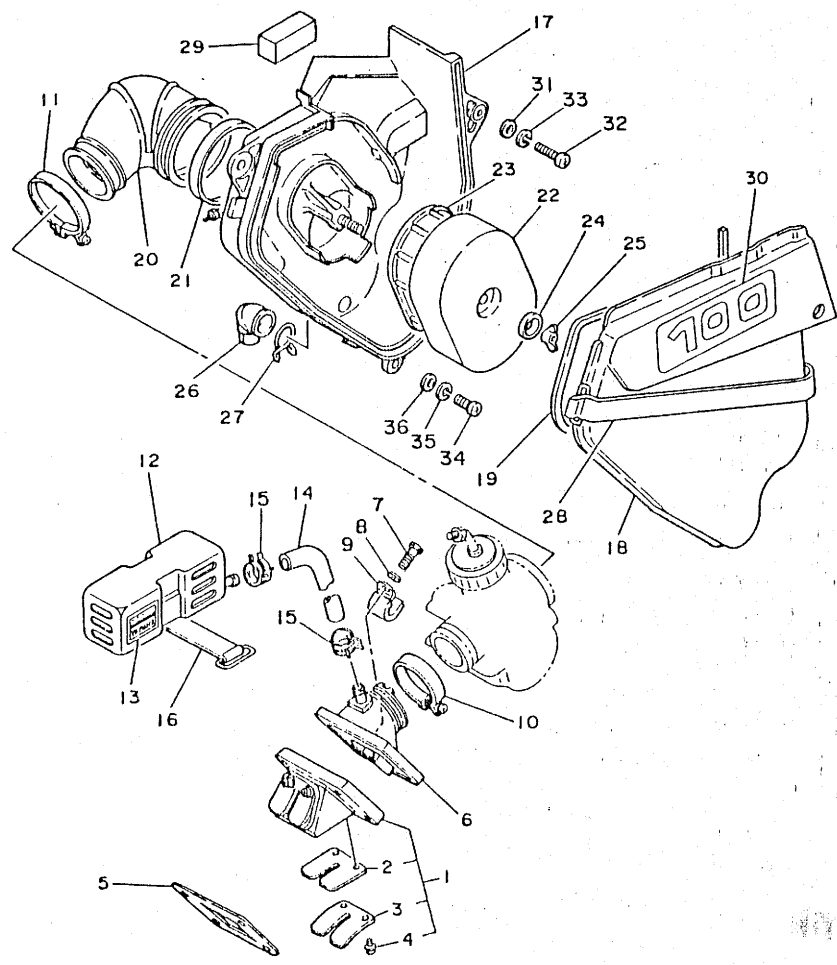


5X3300-2040

B5

FIG. 4 INTAKE

REF. NO.	PART NO.	DESCRIPTION	Q'TY	REMARKS
29	5X4-14462-00	SEAL	1	
30	5X3-21737-10	EMBLEM	1	
31	90201-06052	WASHER, Plate	1	
32	92501-06025	SCREW, Pan head	1	
33	92901-06100	WASHER, sPrinG	1	
34	92501-06015	SCREW, Pan head	2	
35	92901-06100	WASHER, sPrinG	2	
36	90201-06052	WASHER, Plate	2	



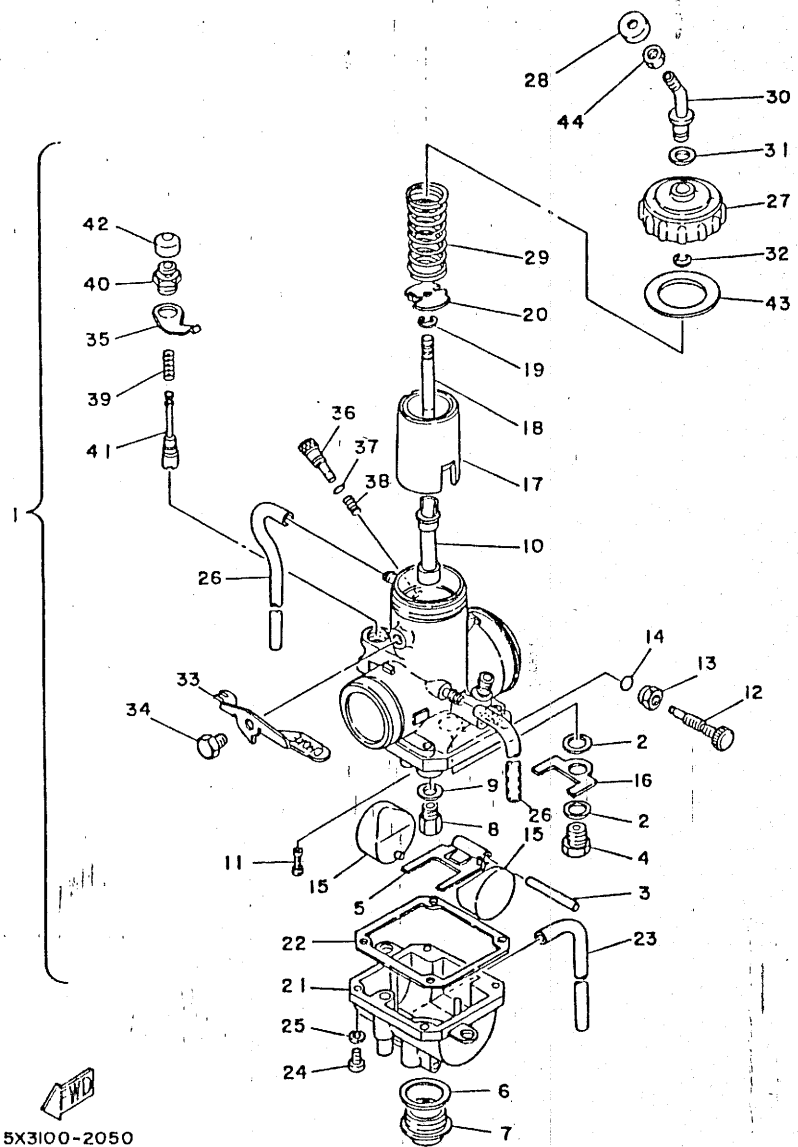
FWD

5X3300-2040

B6

FIG. 5 CARBURETOR

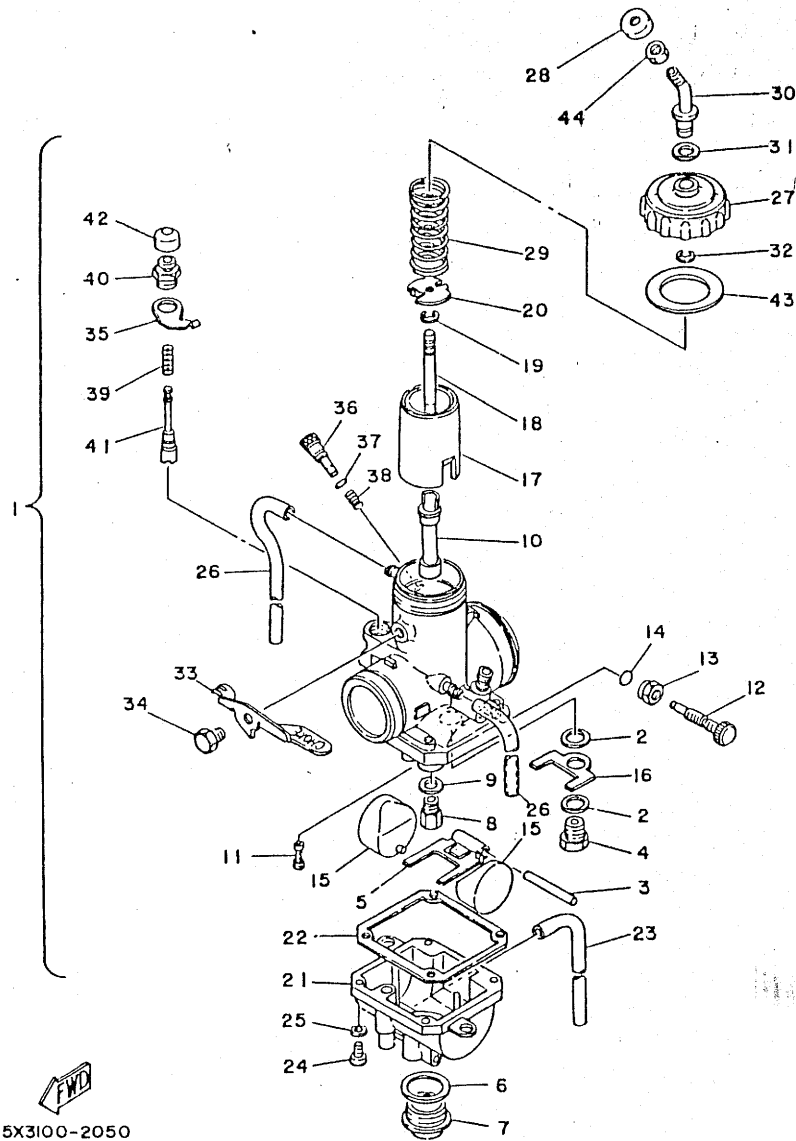
REF. NO.	PART NO.	DESCRIPTION	Q'TY	REMARKS
1	5X3-14101-00	CARBURETOR ASSY 1	1	
2	214-14195-00	•WASHER, needle valve	2	
3	537-14186-00	•PIN, float	1	
4	168-14190-28	•NEEDLE VALVE ASSY	1	
5	2K5-14187-00	•ARM, float	1	
6	278-14117-00	•WASHER, Plug screw	1	
7	537-14115-00	•PLUG, screw	1	
8	137-14143-36	•JET, main (#180)	1	UR
	137-14143-38	•JET, main (#190)	1	UR
	137-14143-40	•JET, main (#200)	1	UR
9	537-14153-00	•WASHER, main Jet	1	
10	278-14141-52	•NOZZLE, main	1	
11	193-14142-50	•JET, Pilot (#50.0)	1	
12	537-14122-00	•SCREW, throttle	1	
13	537-14161-00	•NUT, throttle screw	1	
14	214-14147-00	•O-RING	1	
15	280-14185-00	•FLOAT	2	
16	537-14146-00	•PLATE	1	
17	537-14112-25	•VALVE, throttle 1	1	
18	1.14-14116-10	•NEEDLE	1	
19	164-14137-00	•CLIP	1	
20	537-14136-00	•SEAT, sPring	1	
21	537-14181-16	•BODY, float chamber 1	1	
22	537-14184-00	•GASKET, float chamber	1	
23	183-14197-01	•PIPE	1	
24	98501-04016	•SCREW, Pan head	4	
25	92902-04100	•WASHER, sPring	4	
26	310-14196-00	•PIPE	2	



5X3100-2050

B7

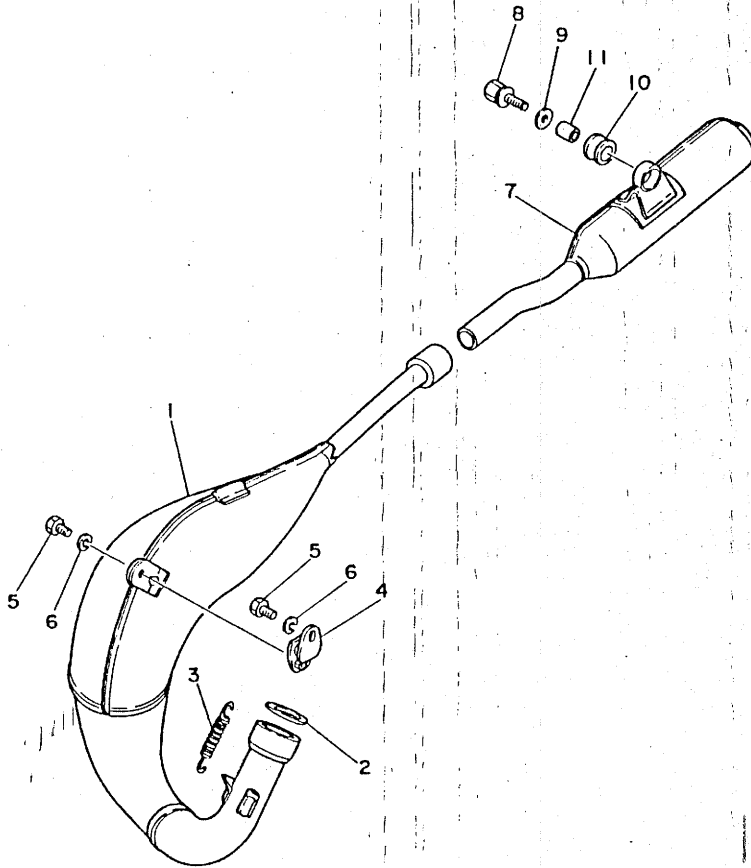
FIG. 5 CARBURETOR



REF. NO.	PART NO.	DESCRIPTION	Q'TY	REMARKS
27	2K5-14158-00	.TOP, mixing chamber	1	
28	1M1-14169-00	.CAP	1	
29	537-14131-00	.SPRING, throttle valve	1	
30	2K5-14155-00	.HOLDER, Guide	1	
31	363-14198-00	.GASKET	1	
32	363-14137-00	.CLIP	1	
33	537-14175-00	.LEVER, starter	1	
34	537-14162-00	.BOLT, starter lever	1	
35	537-14178-00	.PLATE, starter lever	1	
36	525-14123-00	.SCREW, air adjusting	1	
37	354-14147-00	.O-RING	1	
38	174-14134-00	.SPRING, air adjusting	1	
39	500-14135-00	.SPRING, Plunger	1	
40	802-14174-00	.CAP, Plunger	1	
41	174-14171-00	.PLUNGER, starter	1	
42	802-14173-00	.COVER, Plunger cap	1	
43	2K5-14198-00	.GASKET	1	
44	127-14161-00	.NUT, cable adjusting	1	

FIG. 6 EXHAUST

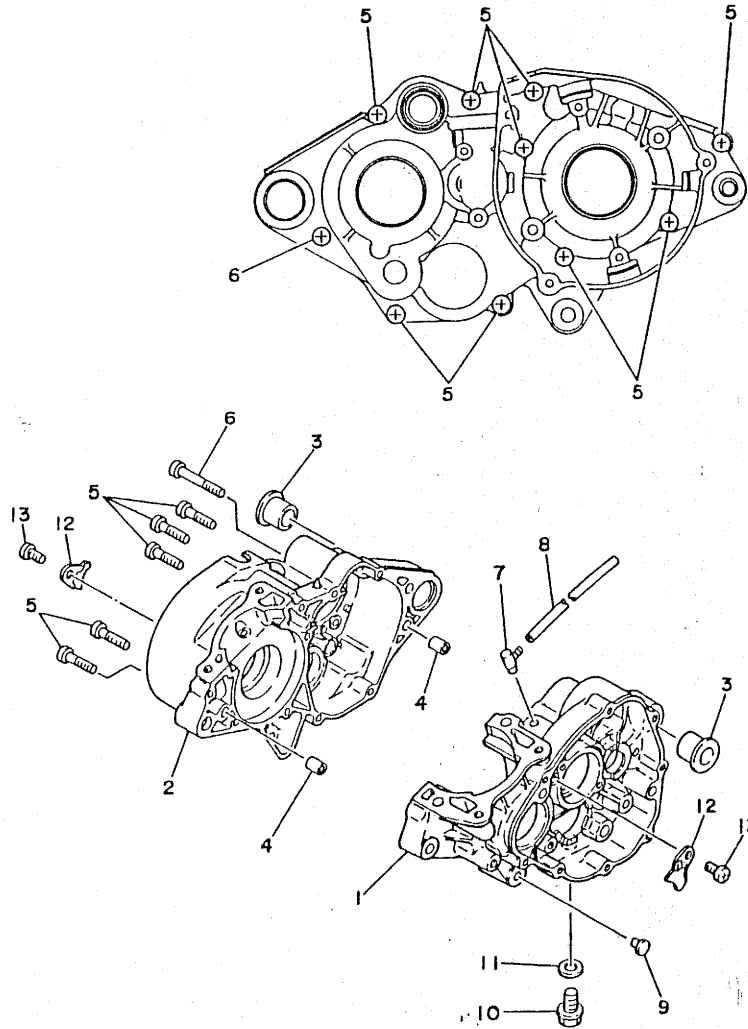
REF. NO.	PART NO.	DESCRIPTION	Q'TY	REMARKS
1	5X3-14610-00	EXHAUST PIPE ASSY 1	1	
2	3R3-14613-00	GASKET, exhaust Pipe	1	
3	90507-20030	SPRING, tension	2	
4	565-14771-00	STAY, muffler 1	1	
5	97301-06012	BOLT	2	
6	92901-06100	WASHER, sPring	2	
7	5X4-14753-00	SILENCER, exhaust	1	
8	90109-08512	BOLT	1	
9	90201-08114	WASHER, Plate	1	
10	90480-22269	GROMMET	1	
11	90387-081A3	COLLAR	1	




5X3100-2060

B9

FIG. 7 CRANKCASE



REF. NO.	PART NO.	DESCRIPTION	Q'TY	REMARKS
1	5X3-15111-00	CRANKCASE 1	1	
2	4V2-15121-00	CRANKCASE 2	1	
3	90387-16781	COLLAR	2	
4	91830-21014	PIN, dowel	2	
5	91316-06035	BOLT	9	
6	91316-06050	BOLT	1	
7	2N4-15371-00	BREATHER	1	
8	90445-07340	HOSE	1	
9	90338-07011	PLUG	1	
10	90340-12059	PLUG, straight screw	1	
11	90430-12038	GASKET	1	
12	3R3-15128-01	HOLDER	2	
13	92501-08010	SCREW, Pan head	2	

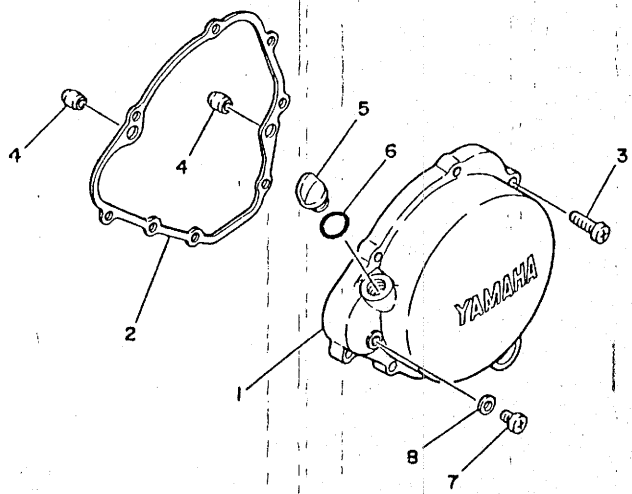
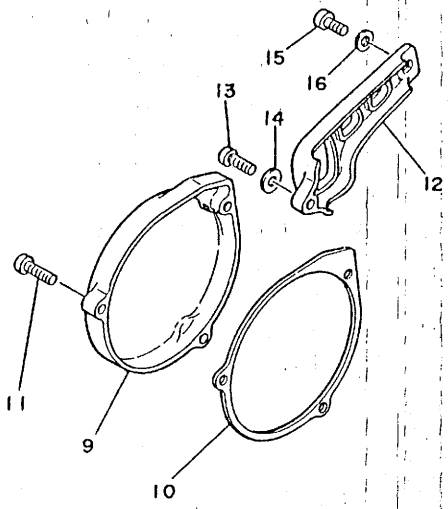


5X3100-2070

B10

FIG. 8 CRANKCASE COVER

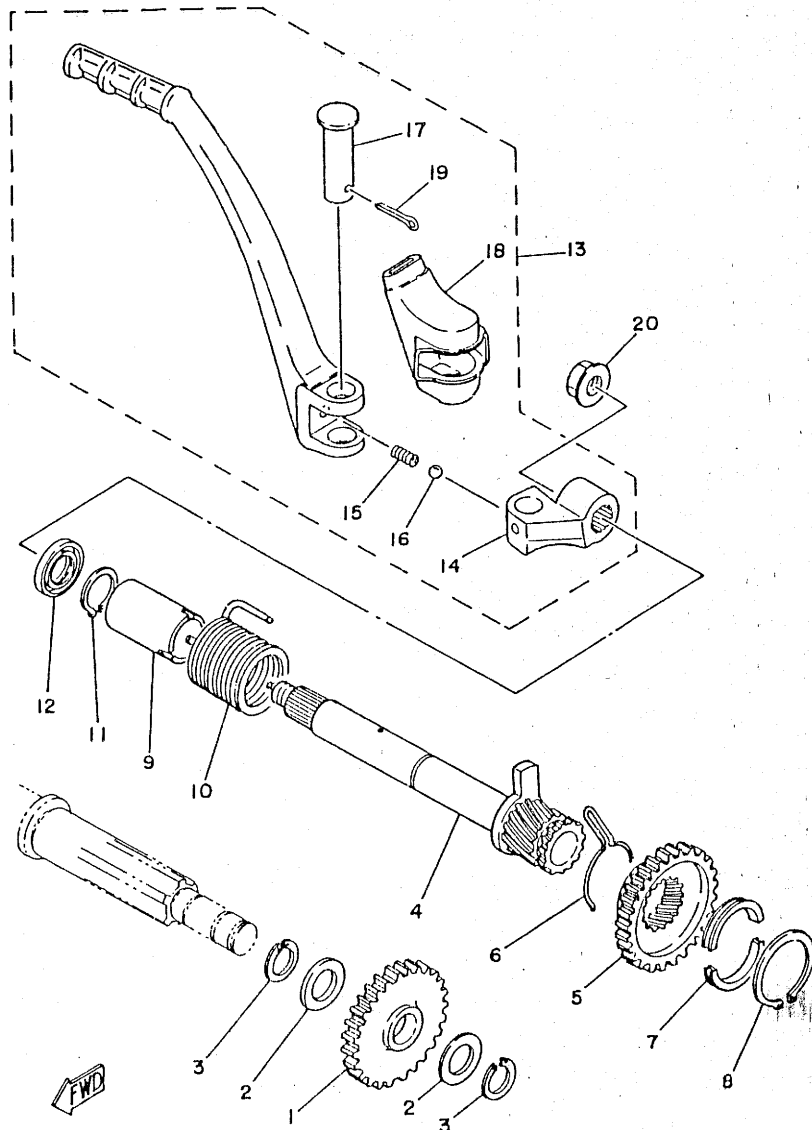
REF. NO.	PART NO.	DESCRIPTION	Q'TY	REMARKS
1	3R3-15411-00	COVER, crankcase 1	1	
2	3R3-15451-01	GASKET, crankcase cover	1	
3	92506-06025	SCREW, Pan head	8	
4	91830-21014	PIN, dowel	2	
5	1G8-15362-00	PLUG, oil level	1	
6	93210-14104	O-RING	1	
7	92506-06008	SCREW, Pan head	1	
8	90430-06016	GASKET	1	
9	3R3-15421-00	COVER, crankcase 2	1	
10	4V2-15455-00	GASKET 1	1	
11	92506-06025	SCREW, Pan head	3	
12	3R3-15431-00	COVER, crankcase 3	1	
13	92501-06015	SCREW, Pan head	1	
14	90201-06067	WASHER, Plate	1	
15	92501-06020	SCREW, Pan head	1	
16	92901-06200	WASHER, Plain	1	



5X3100-2080

B11

FIG. 9 KICK STARTER



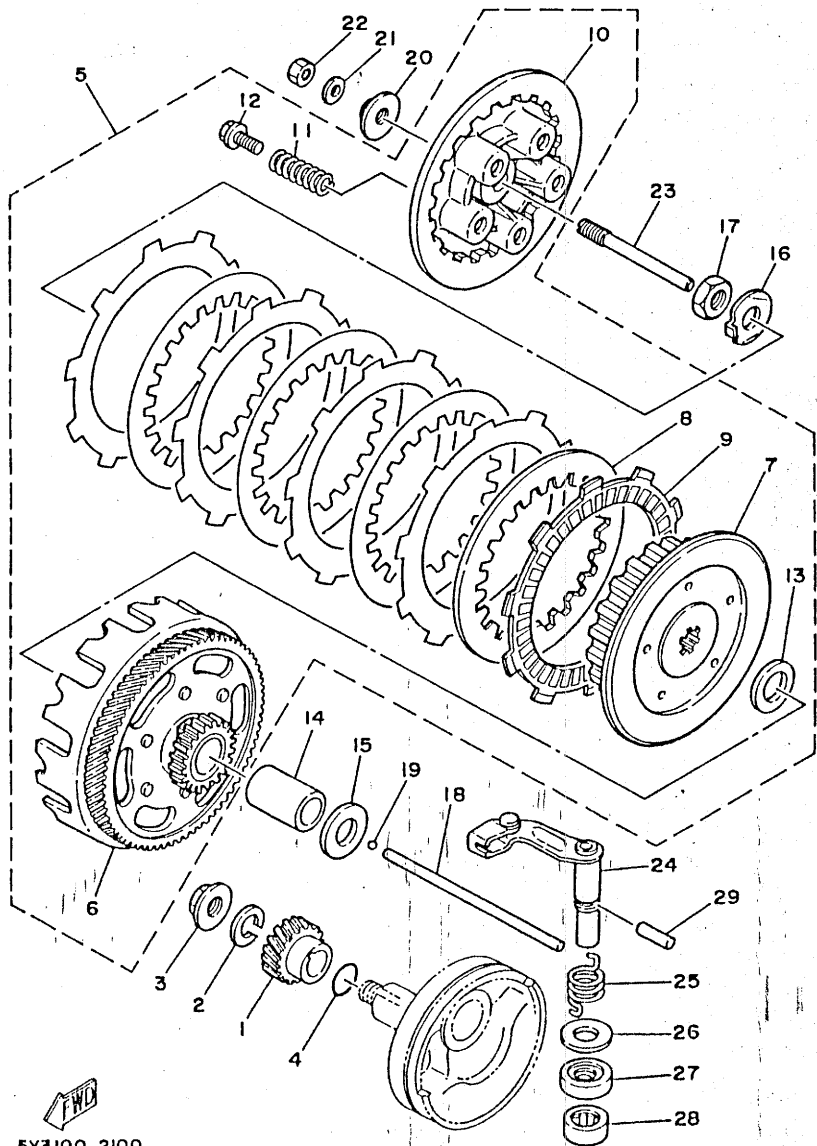
REF. NO.	PART NO.	DESCRIPTION	Q'TY	REMARKS
1	3R3-15651-01	GEAR, sProcket idle (25T)	1	
2	137-17417-00-05	SHIM (0.5T)	2	
3	93440-15012	CIRCLIP	2	
4	3R3-15660-00	KICK AXLE ASSY	1	
5	3R3-15641-00	GEAR, kick (25T)	1	
6	90468-26048	CLIP	1	
7	248-15654-00	HOLDER, kick gear	2	
8	93410-30012	CIRCLIP	1	
9	3R3-15666-00	SPACER	1	
10	90508-26427	SPRING, torsion	1	
11	93410-17037	CIRCLIP	1	
12	93101-17062	OIL SEAL	1	
13	5X3-15620-00	KICK CRANK ASSY	1	
14	5X3-15621-00	.BOSS, kick crank	1	
15	90501-12081	.SPRING, compression	1	
16	93507-32009	.BALL	1	
17	91702-12040	.PIN, clevis	1	
18	3R3-15618-01	.COVER, kick lever	1	
19	91401-40020	.PIN, cotter	1	
20	90179-10272	NUT	1	

5X3100-2090

B12

FIG. 10 CLUTCH

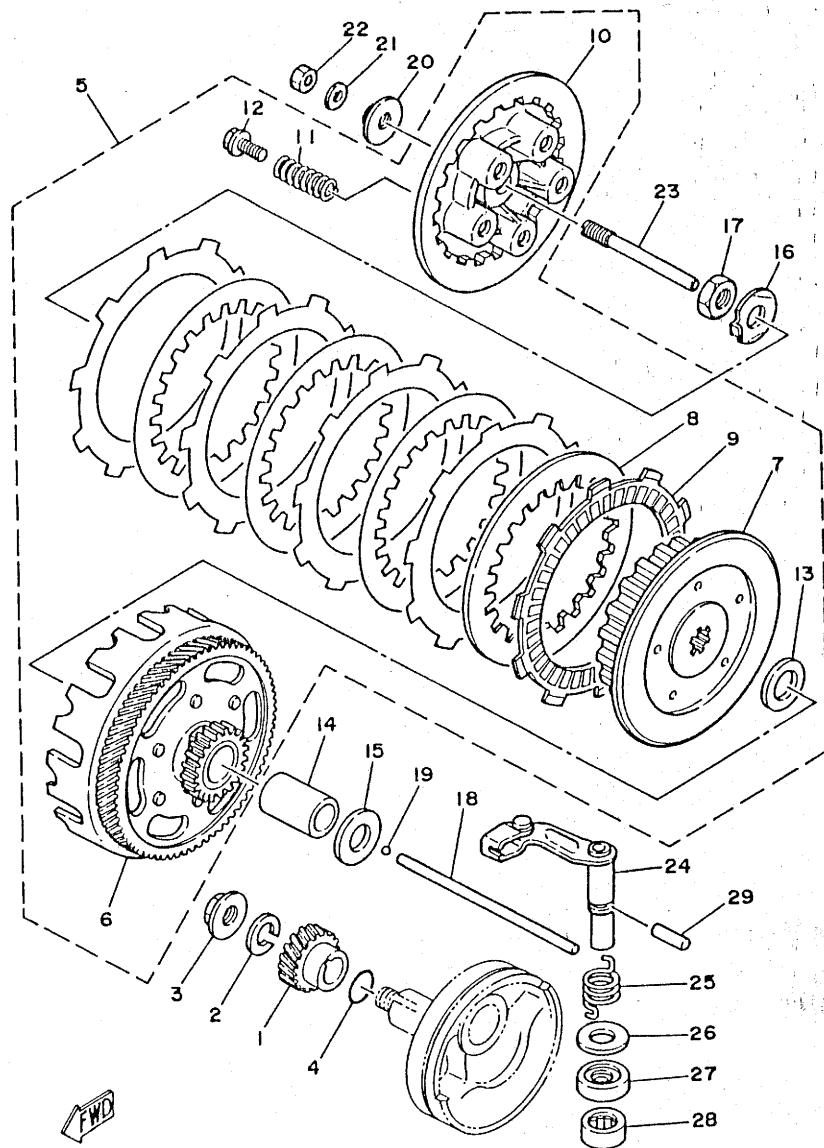
REF. NO.	PART NO.	DESCRIPTION	Q'TY	REMARKS
1	3R3-16111-00	GEAR, Primary drive (18T)	1	
2	90204-12007	WASHER, sPrInG	1	
3	90179-12302	NUT	1	
4	93210-20027	O-RING	1	
5	3R3-16300-00	CLUTCH ASSY	1	
6	3R3-16150-00	.DRIVEN GEAR ASSY (62T)	1	
7	1G8-16371-00	.BOSS, clutCh	1	
8	3R3-16325-00	.PLATE, clutch 2	4	
9	537-16321-00	.PLATE, friction	5	
10	1W1-16351-00	.PLATE, Pressure 1	1	
11	90501-20361	.SPRING, comPrEssion	5	
12	90159-05011	.SCREW, with washer	5	
13	90201-17550	.WASHER, Plate	1	
14	90560-17190	SPACER	1	
15	90201-17550	WASHER, Plate	1	
16	90215-14144	WASHER, lock	1	
17	90170-14171	NUT	1	
18	2X3-16357-00	ROD, Push 2	1	
19	93503-16010	BALL	1	
20	1W1-16358-00	PLATE, Push	1	
21	92901-06200	WASHER, Plain	1	
22	95301-06600	NUT	1	
23	1W1-16356-01	ROD, Push 1	1	
24	3R3-16380-02	PUSH LEVER ASSY	1	
25	90508-14426	SPRING, torsion	1	
26	90201-14217	WASHER, Plate	1	
27	93104-14004	OIL SEAL	1	
28	93315-21429	BEARING, cylindrical	1	



5X3100-2100

B13

FIG. 10 CLUTCH

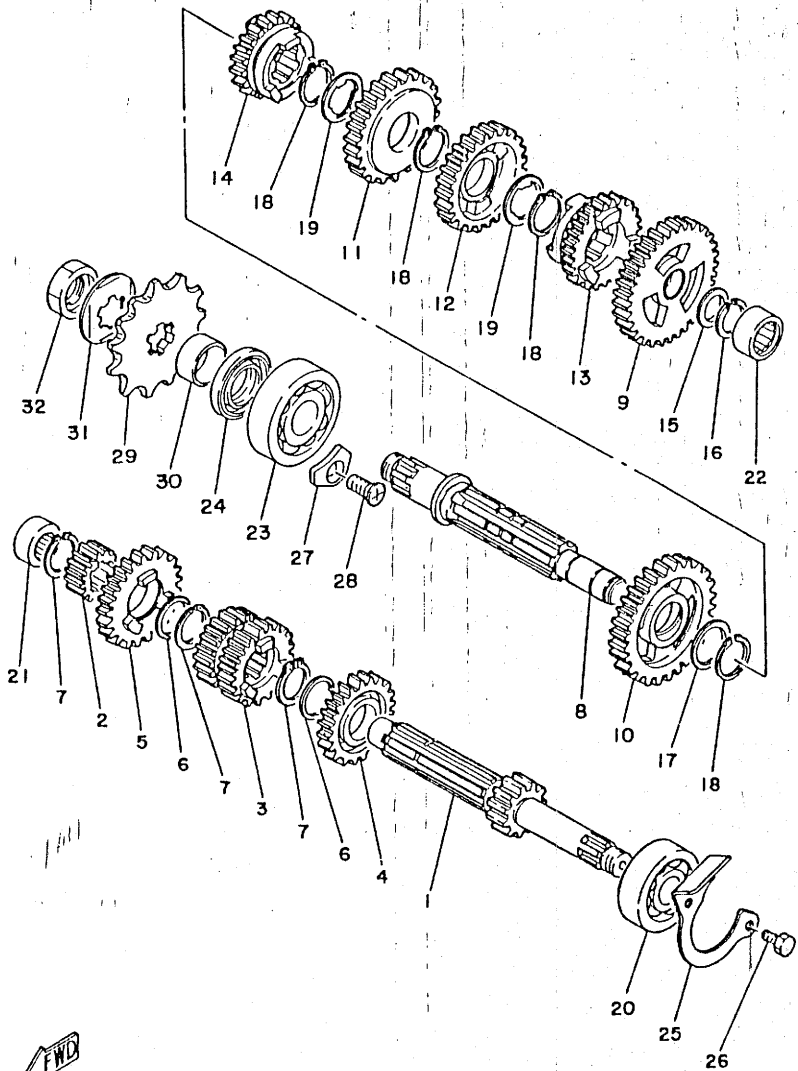


REF. NO.	PART NO.	DESCRIPTION	Q'TY	REMARKS
29	93604-16092	PIN, dowel	1	

FWD
5X3100-2100

B14

FIG. 11 TRANSMISSION

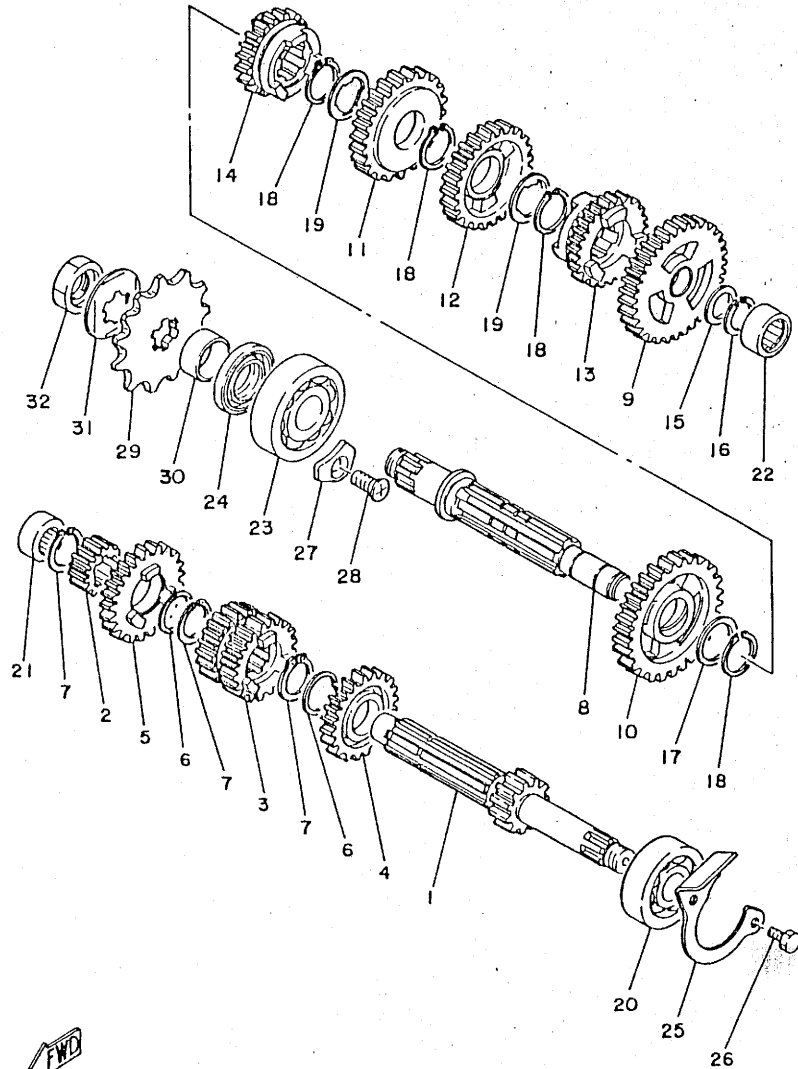


REF. NO.	PART NO.	DESCRIPTION	Q'TY	REMARKS
1	3R3-17411-00	AXLE, main (13T)	1	
2	5X4-17121-01	GEAR, 2nd Pinion (14T)	1	
3	3R3-17131-01	GEAR, 3rd Pinion	1	
4	3R3-17151-02	GEAR, 5th Pinion	1	
5	3R3-17161-02	GEAR, 6th Pinion	1	
6	90201-20266	WASHER, Plate	2	
7	93410-20038	CIRCLIP	3	
8	3R3-17421-00	AXLE, drive	1	
9	5X4-17211-01	GEAR, 1st wheel (32T)	1	
10	3R3-17221-01	GEAR, 2nd wheel	1	
11	3R3-17231-01	GEAR, 3rd wheel	1	
12	3R3-17241-01	GEAR, 4th wheel	1	
13	3R3-17251-02	GEAR, 5th wheel	1	
14	3R3-17261-02	GEAR, 6th wheel	1	
15	90201-15701	WASHER, Plate (1.0T)	1	
16	93440-15012	CIRCLIP	1	
17	90201-22555	WASHER, Plate	1	
18	93410-22039	CIRCLIP	4	
19	90209-18135	WASHER	2	
20	93306-30303	BEARING (B6303Z)	1	
21	93311-41530	BEARING, cylindrical	1	
22	93311-31515	BEARING, cylindrical	1	
23	93306-30411	BEARING (B6304)	1	
24	93102-26042	OIL SEAL	1	
25	3R3-17471-00	PLATE, cover	1	
26	97321-06012	BOLT	2	
27	2K7-15383-00	PLATE, bearing cover	1	
28	92701-06012	SCREW, flat head	1	

5X3100-2110

B15

FIG. 11 TRANSMISSION



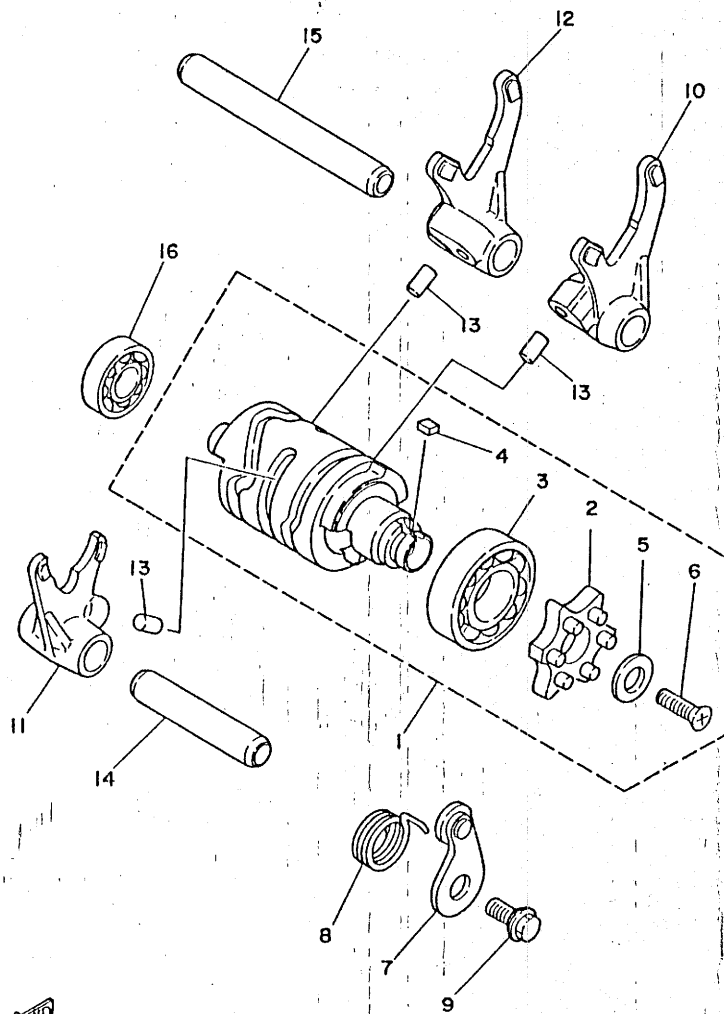
REF. NO.	PART NO.	DESCRIPTION	Q'TY	REMARKS
29	1W1-17461-20	SPROCKET, drive (12T)	1	STD
	1G8-17461-10	SPROCKET, drive (11T)	1	AP
	1G8-17461-30	SPROCKET, drive (13T)	1	AP
30	90387-202A0	COLLAR	1	
31	90215-16127	WASHER, lock	1	
32	90179-16226	NUT	1	



5X3100-2110

C2

FIG. 12 SHIFT CAM, FORK



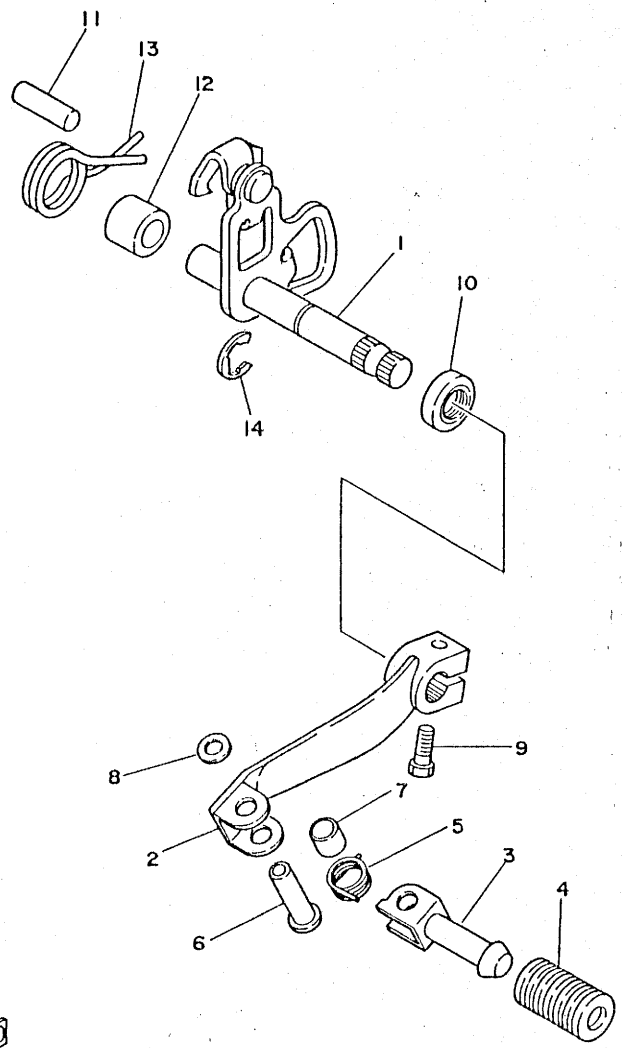
REF. NO.	PART NO.	DESCRIPTION	Q'TY	REMARKS
1	5X4-18540-00	SHIFT CAM ASSY	1	
2	3R4-18185-00	•SEGMENT	1	
3	93306-00422	•BEARING	1	
4	90282-04036	•KEY, straight	1	
5	3R4-18561-00	•PLATE, side 1	1	
6	98701-05016	•SCREW, flat head	1	
7	3R3-18140-00	STOPPER LEVER ASSY	1	
8	90508-26515	SPRING, torsion	1	
9	1W1-18177-00	BOLT, stopper	1	
10	3R3-18511-00	FORK, shift 1	1	
11	3R3-18512-00	FORK, shift 2	1	
12	3R3-18513-00	FORK, shift 3	1	
13	90250-06013	PIN, straight	3	
14	3R4-18531-00	BAR, shift fork Guide 1	1	
15	3R4-18535-00	BAR, shift fork Guide 2	1	
16	93306-20107	BEARING (B6201)	1	



5X4100-2150

C3

FIG. 13 SHIFT SHAFT PEDAL



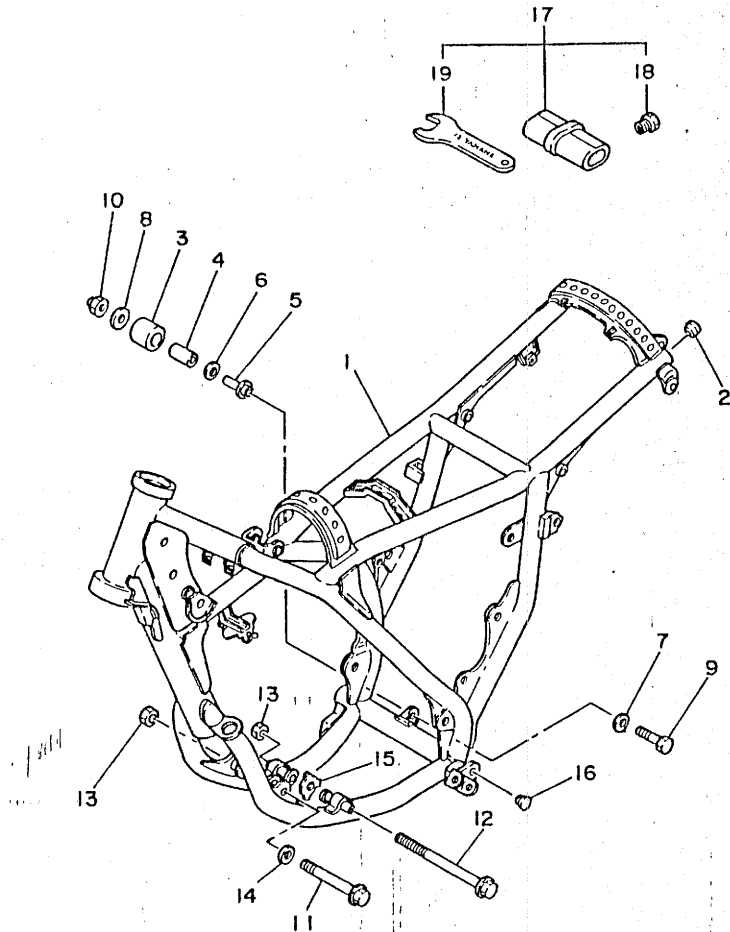
REF. NO.	PART NO.	DESCRIPTION	Q'TY	REMARKS
1	5X4-18101-00	SHIFT SHAFT ASSY	1	
2	5X4-18111-01	PEDAL, shift	1	
3	5X4-18162-00	PEDAL, shift	1	
4	1W6-18113-00	COVER, shift Pedal	1	
5	90508-16558	SPRING, torsion	1	
6	90243-08020	PIN	1	
7	90446-11180	HOSE	1	
8	90201-06042	WASHER, Plate	1	
9	97321-06020	BOLT	1	
10	93101-12060	OIL SEAL	1	
11	93608-25150	PIN, dowel	1	
12	90560-11189	SPACER	1	
13	90508-29361	SPRING, torsion	1	
14	93430-10016	CIRCLIP	1	

FWD
5X4100-2160

C4

FIG. 14 FRAME. TOOL

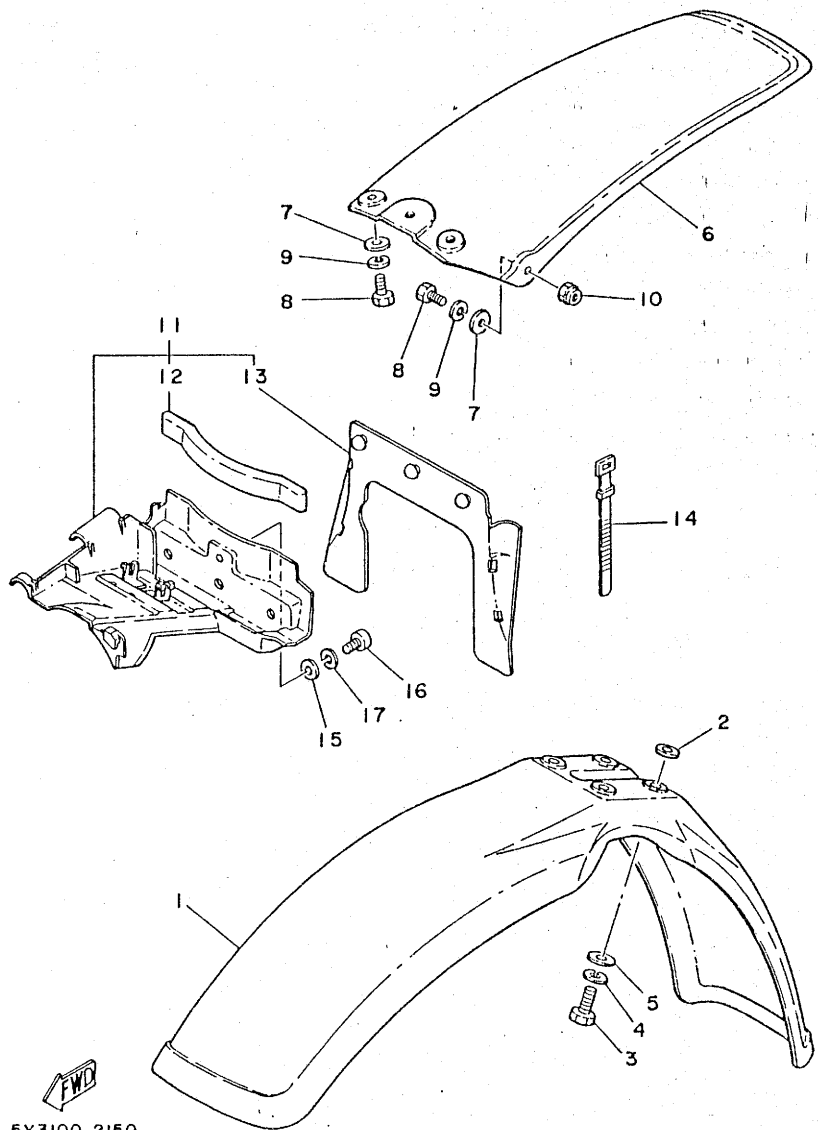
REF. NO.	PART NO.	DESCRIPTION	Q'TY	REMARKS
1	5X3-21110-00-33	FRAME COMP	1	yamaha black
2	90339-13005	PLUG	2	
3	4V4-22178-00	TENSIONER	1	
4	4V4-22184-00	BUSH	1	
5	3R3-2148A-00	SHAFT	1	
6	90201-13202	WASHER, Plate	1	
7	90201-08113	WASHER, Plate	1	
8	90201-08638	WASHER, Plate	1	
9	97302-08050	BOLT	1	
10	95602-08100	NUT, u	1	
11	95811-08100	BOLT, flange	1	
12	95811-08165	BOLT, flange	1	
13	90185-08089	NUT, self-locking	2	
14	92901-08200	WASHER, Plain	1	
15	90214-09019	WASHER, claw	1	
16	90338-12131	PLUG	1	
17	5X3-28100-10	TOOL KIT	1	
18	2K7-85555-00	.PULLER, rotor	1	
19	1W1-28135-10	.SPANNER, sPecial	1	



5X3100-2140

C5

FIG. 15 FRONT FENDER-REAR FENDER



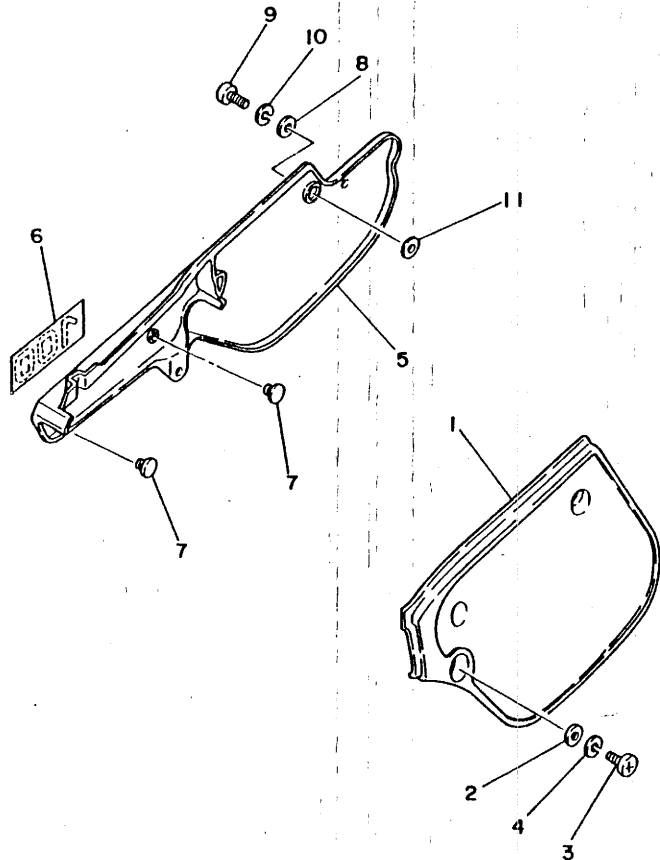
REF. NO.	PART NO.	DESCRIPTION	Q'TY	REMARKS
1	5X6-21511-10	FENDER, front	1	white
2	90201-06557	WASHER, Plate	4	
3	97302-06020	BOLT	4	
4	92902-06100	WASHER, sPring	4	
5	90209-06187	WASHER	4	
6	3R3-21611-11	FENDER, rear	1	white
7	90201-06571	WASHER, Plate	4	
8	97301-06016	BOLT	4	
9	92902-06100	WASHER, sPring	4	
10	95601-06100	NUT, u	2	
11	5X3-21620-00	MUD GUARD COMP.	1	
12	565-21746-00	.SEAL, mud Guard	1	
13	5X3-21642-00	.GUARD, flap	1	
14	437-83936-00	BAND, switch cord	4	
15	90201-06571	WASHER, Plate	1	
16	92501-06015	SCREW, Pan head	1	
17	92901-06100	WASHER, sPring	1	

5X3100-2150

C6

FIG. 16 SIDE COVER

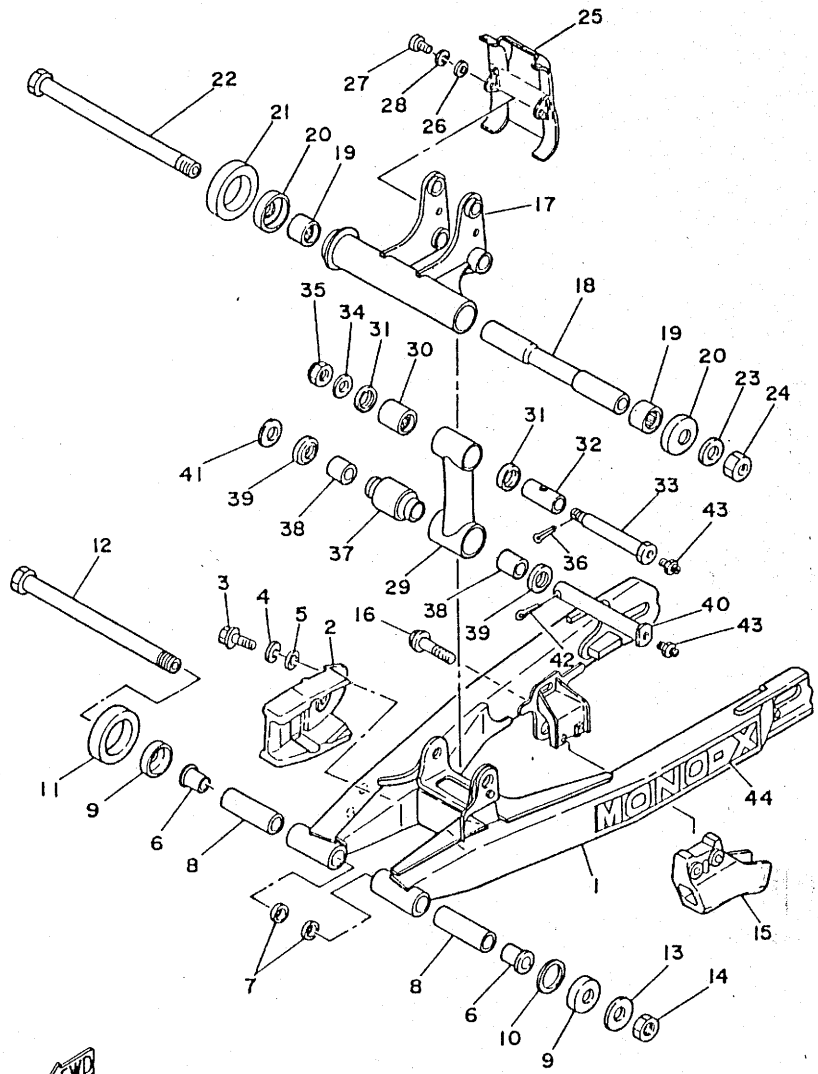
REF. NO.	PART NO.	DESCRIPTION	Q'TY	REMARKS
1	5X4-21711-10	COVER, side 1	1	low gloss black /white
2	90201-06571	WASHER, Plate	2	
3	92501-06015	SCREW, Pan head	2	
4	92901-06100	WASHER, Spring	2	
5	5X4-21721-10	COVER, side 2	1	low gloss black /white
6	5X3-21737-10	EMBLEM	1	
7	431-24181-00	DAMPER, locating	4	
8	90201-06571	WASHER, Plate	2	
9	92501-06015	SCREW, Pan head	2	
10	92901-06100	WASHER, Spring	2	
11	92901-08200	RAIN	1	



5X3300-2160

C7

FIG. 17 REAR ARM



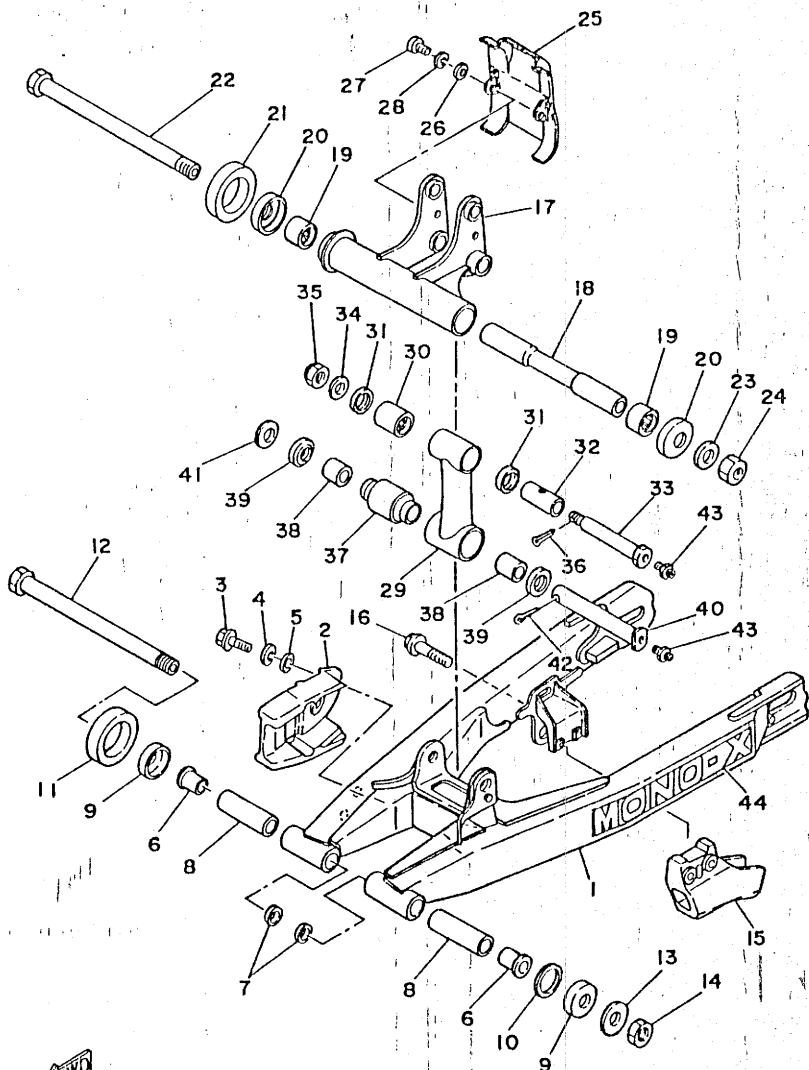
REF. NO.	PART NO.	DESCRIPTION	Q'TY	REMARKS
1	5X3-22110-00-35	REAR ARM COMP.	1	silver
2	5X3-22147-00	PROTECTOR, chain	1	
3	98501-05012	SCREW, Pan head	2	
4	92901-05100	WASHER, sPring	2	
5	92901-05200	WASHER, Plain	2	
6	3Y1-22184-01	BUSH	2	
7	93109-22019	OIL SEAL	2	
8	90380-16098	BUSH, solid	2	
9	322-22128-01	COVER, thrust 1	2	
10	156-22127-00	SHIM (0.3T)	1	
11	1W1-22151-00	SEAL, Guard	1	
12	5X4-22141-00	SHAFT, Pivot	1	
13	90201-160F6	WASHER, Plate	1	
14	90170-16111	NUT	1	
15	5X4-22199-00	SUPPDRT, chain	1	
16	95802-08040	BOLT, flange	2	
17	5X3-2217A-00	ARM, relay	1	
18	90387-163F6	COLLAR	1	
19	93317-22208	BEARING, cylindrical	2	
20	322-22128-01	COVER, thrust 1	2	
21	1W1-22151-00	SEAL, Guard	1	
22	5X4-22141-00	SHAFT, Pivot	1	
23	90201-160F6	WASHER, Plate	1	
24	90170-16111	NUT	1	
25	5X3-21652-00	PROTECTOR	1	
26	92901-05200	WASHER, Plain	2	
27	98501-05012	SCREW, Pan head	2	
28	92901-05100	WASHER, sPring	2	

FWD
5X3100-2170

C8

FIG. 17 REAR ARM

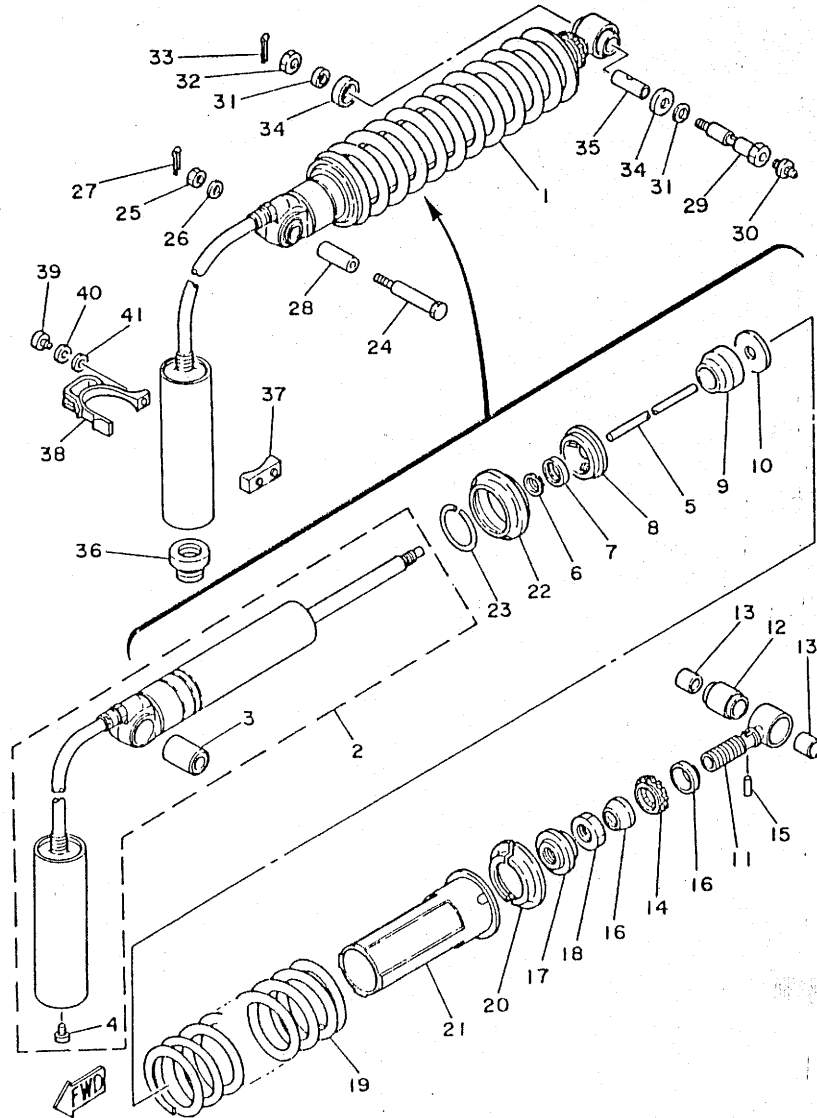
REF. NO.	PART NO.	DESCRIPTION	Q'TY	REMARKS
29	5X3-2217F-00	ROD, connecting 1	1	
30	93317-22023	BEARING, cylindrical	1	
31	93109-20029	OIL SEAL	2	
32	90380-14095	BUSH, solid	1	
33	90109-12646	BOLT	1	
34	90201-120E6	WASHER, Plate	1	
35	90185-12061	NUT, self-locking	1	
36	91401-25020	PIN, cotter	1	
37	5X6-22123-00	BUSH 1	1	
38	90384-16156	BUSH, bimetal formed	2	
39	5X6-2217H-00	COVER, dust	2	
40	90249-16154	PIN	1	
41	90201-16243	WASHER, Plate	1	
42	91401-40030	PIN, cotter	1	
43	93700-06004	NIPPLE, grease	2	
44	5X6-2218A-00	EMBLEM, rear arm	2	for canada



5X3100-2170

C9

FIG. 18 REAR SUSPENSION

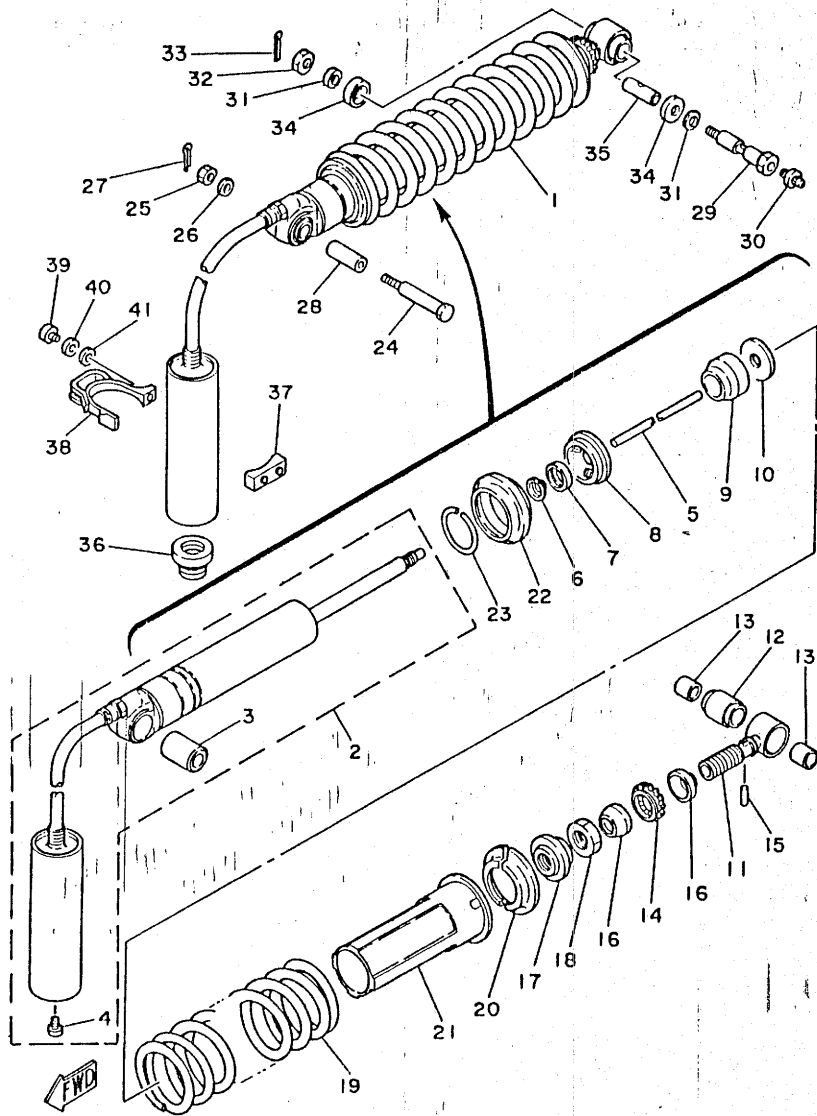


5X3100-2180

REF. NO.	PART NO.	DESCRIPTION	Q'TY	REMARKS
1	5X3-22210-00	SHOCK ABSORBER ASSY, rear	1	
2	5X3-22401-00	.DUMPER SUB ASSY	1	
3	5X6-22216-00	..BUSH, rear shock absorber	1	
4	98501-04005	..SCREW, Pan head	1	
5	5X3-22489-00	.ROD, Push	1	
6	3R4-22475-00	.SEAL, dust	1	
7	3R4-22473-00	.HOUSING, seal ring	1	
8	4L0-22472-00	.CAP, case	1	
9	5X3-22493-00	.BUMP, stop	1	
10	3R4-22228-00	.SUPPORT, bump stop	1	
11	5X3-22409-00	.UPPER BRACKET SUB ASSY	1	
12	5X6-22226-00	.BUSH, shock absorber lower	1	
13	90384-18157	.BUSH, bimetal formed	2	
14	5X3-22497-00	.NUT, adjusting	1	
15	93604-26132	.PIN, dowel	1	
16	3R4-22221-01	.COVER	2	
17	3R4-22213-00	.SEAT, spring upper	1	
18	90170-20213	.NUT	1	
19	5X3-22212-00	.SPRING	1	
20	3R4-22214-00	.GUIDE, spring 1	2	
21	5X3-22224-00	.GUIDE, spring 2	1	
22	3R4-22223-00	.SEAT, spring lower	1	
23	93440-50078	.CIRCLIP	1	
24	90109-10550	BOLT	1	
25	95302-10700	NUT	1	
26	90201-10430	WASHER, plate	1	
27	91401-20025	PIN, cotter	1	
28	90380-12094	BUSH, solid	1	

C10

FIG. 18 REAR SUSPENSION



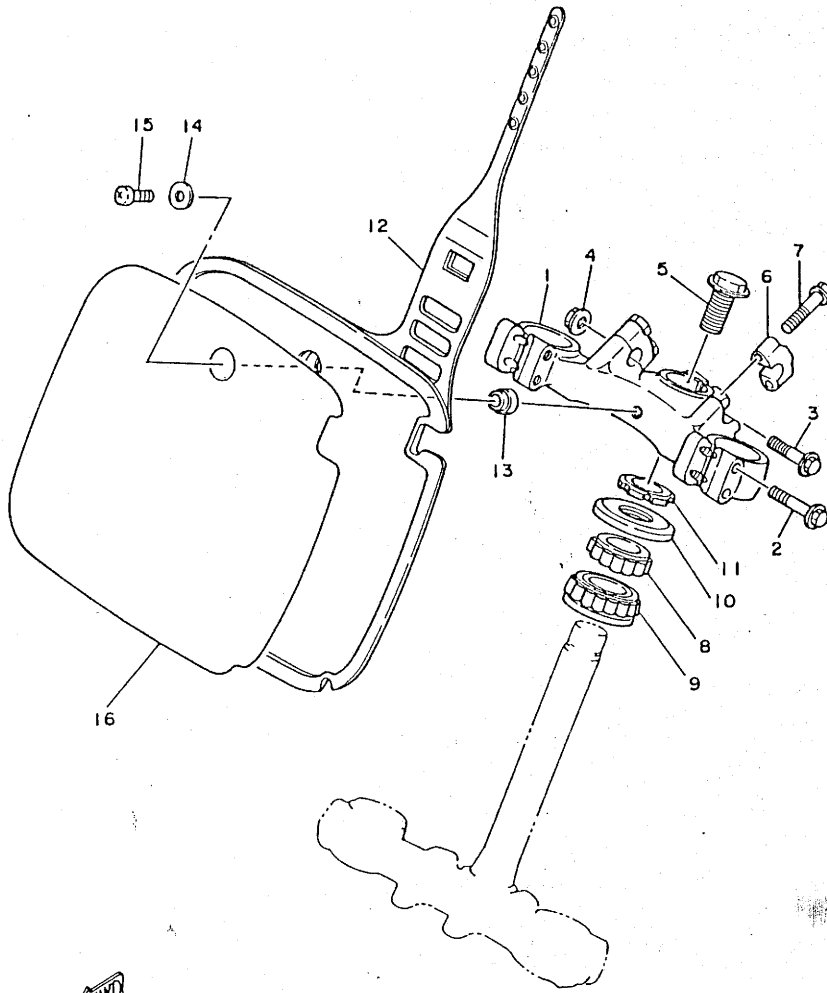
REF. NO.	PART NO.	DESCRIPTION	Q'TY	REMARKS
29	90109-10648	BOLT	1	
30	93700-06004	NIPPLE, Grease	1	
31	90201-100E9	WASHER, Plate	1	
32	95601-10100	NUT, v	1	
33	91401-25020	PIN, cotter	1	
34	5X6-22129-00	COVER, thrust 2	2	
35	90380-12094	BUSH, solid	1	
36	90480-22263	GROMMET	1	
37	5X4-22261-00	DAMPER, sub tank	1	
38	3R3-22262-00	HOLDER, sub tank	1	
39	92502-06016	SCREW, Pan head	1	
40	92902-06100	WASHER, sPring	1	
41	92902-06600	WASHER	1	

5X3100-2180

C11

FIG. 19 STEERING

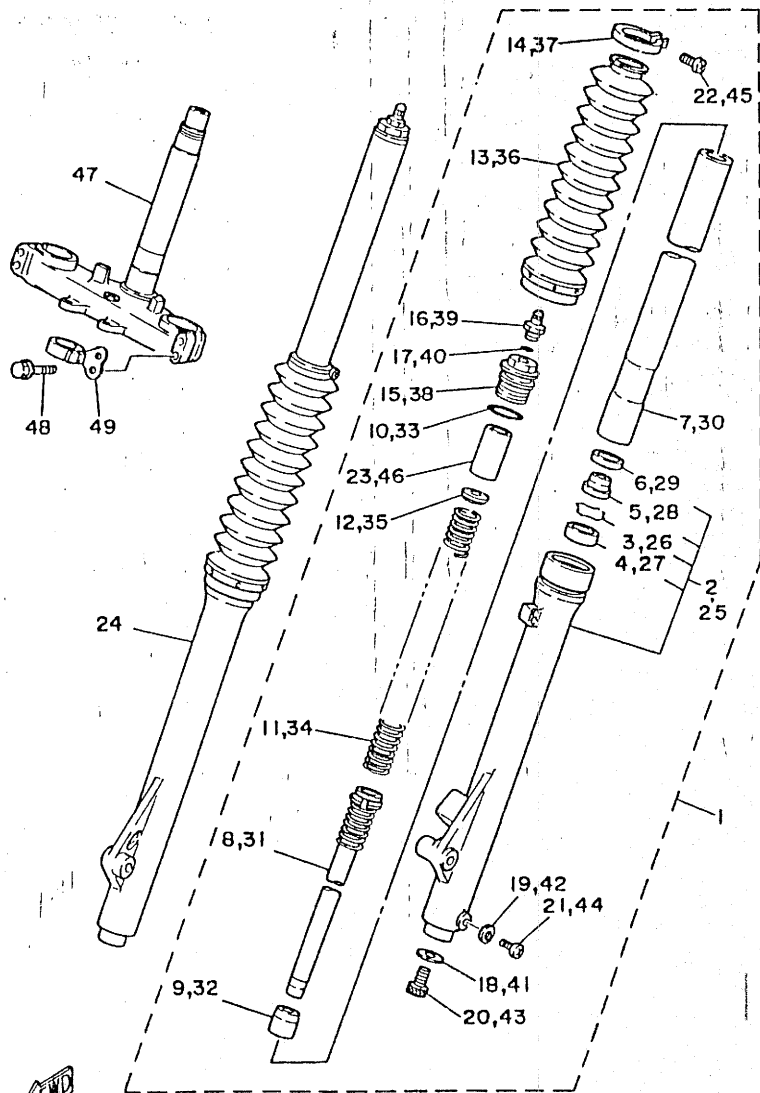
REF. NO.	PART NO.	DESCRIPTION	Q'TY	REMARKS
1	5X3-23435-00-98	CROWN, handle	1	low gloss black
2	95821-08040	BOLT, flange	4	
3	95821-08055	BOLT, flange	1	
4	95701-08100	NUT, flange	1	
5	90105-14136	BOLT, washer based	1	
6	1E6-23441-00-98	HOLDER, handle upper	2	low gloss black
7	95821-08035	BOLT, flange	4	
8	93332-00023	BEARING	1	
9	93332-00008	BEARING	1	
10	1W1-23416-00	COVER, ball race 2	1	
11	90179-25033	NUT	1	
12	5X6-23485-10	PLATE, number	1	white
13	90387-065F7	COLLAR	1	
14	80201-06571	WASHER, Plate	1	
15	92501-06025	SCREW, Pan head	1	
16	5X6-23395-10	EMBLEM	1	



FWD
5X3300-2190

C12

FIG. 20 FRONT FORK

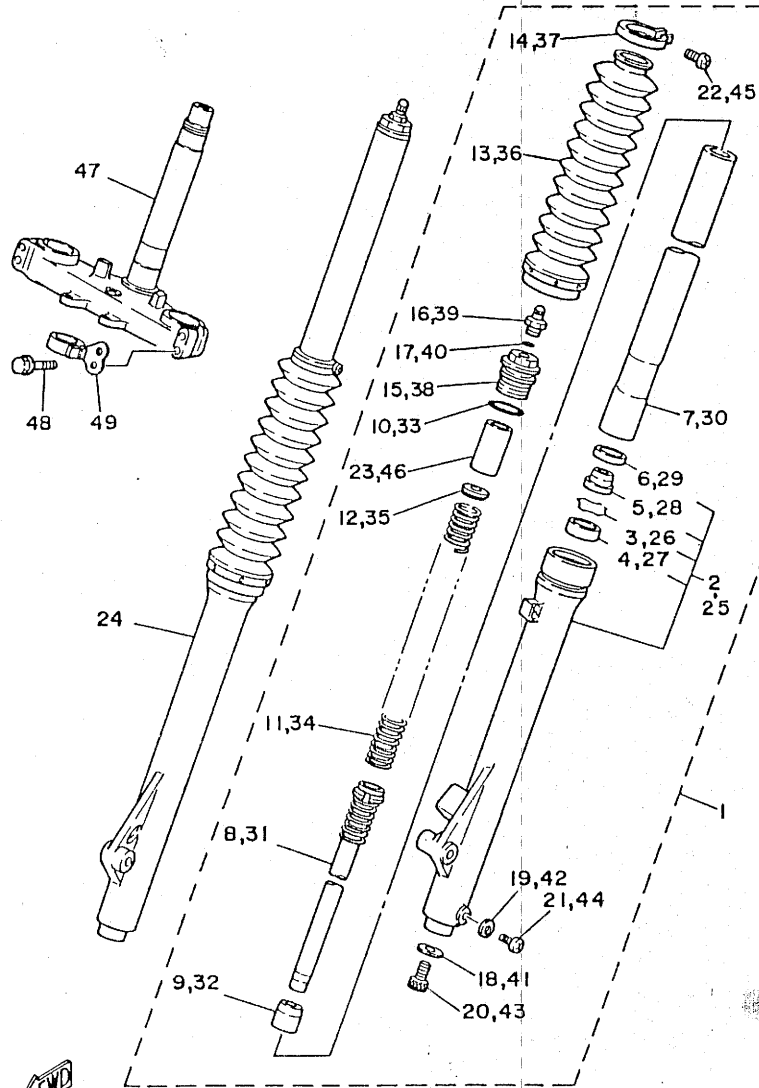


REF. NO.	PART NO.	DESCRIPTION	Q'TY	REMARKS
1	5X3-23102-L0	FRONT FORK ASSY (L.H)	1	
2	5X3-23126-L0	.TUBE, outer 1	1	
3	4A1-23156-00	..CLIP, oil seal	1	
4	1W1-23145-L0	..OIL SEAL	1	
5	3R8-23144-L0	..SEAL, dust	1	
6	3R8-23148-L0	..COVER, dust seal	1	
7	5X3-23110-L0	.INNER TUBE COMP.1	1	
8	3R6-23170-L0	.CYLINDER COMP., front fork	1	
9	3R6-23173-L0	.SPINDLE, taPer	1	
10	1W1-23114-L0	.GASKET	1	
11	5X3-23141-L0	.SPRING, front fork	1	
12	1W1-23142-L0	.SEAT, sPring upper	1	
13	2X3-23191-M0	.BOOT	1	
14	341-92090-60	.BAND, boot	1	
15	5X3-23111-L0	.BOLT, caP	1	
16	4V4-23190-L0	.AIR VALVE COMP.	1	
17	3J2-23147-00	.O-RING	1	
18	509-23158-L0	.GASKET	1	
19	122-23129-00	.GASKET, drain Plug	1	
20	278-23181-50	.BOLT, hexaGon socket head	1	
21	122-23119-01	.PLUG, drain	1	
22	4V2-23194-L0	.SCREW, boot band	1	
23	4V5-23118-L1	.SPACER	1	
24	5X3-23103-L0	FRONT FORK ASSY (R.H)	1	
25	5X3-23136-L0	.TUBE, outer 2	1	
26	4A1-23156-00	..CLIP, oil seal	1	
27	1W1-23145-L0	..OIL SEAL	1	
28	3R8-23144-L0	..SEAL, dust	1	

5X3100-2200

C13

FIG. 20 FRONT FORK

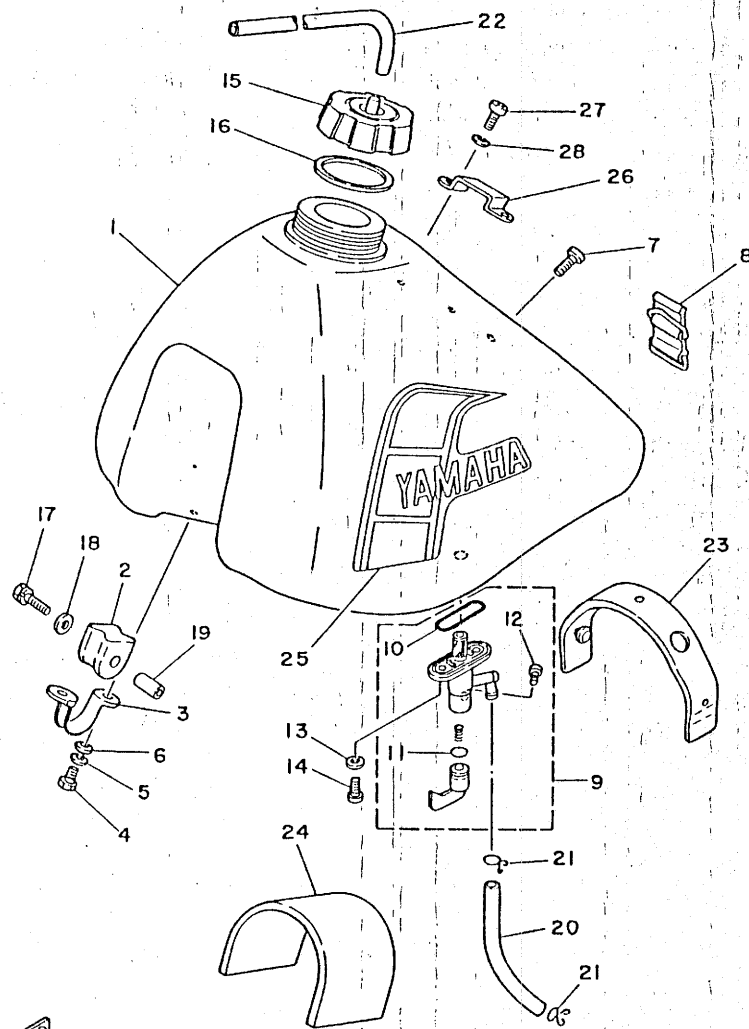


REF. NO.	PART NO.	DESCRIPTION	Q'TY	REMARKS
29	3R8-23148-L0	.COVER, dust seal	1	
30	5X3-23110-L0	.INNER TUBE COMP.1	1	
31	3R6-23170-L0	.CYLINDER COMP., front fork	1	
32	3R6-23173-L0	.SPINDLE, taPer	1	
33	1W1-23114-L0	.GASKET	1	
34	5X3-23141-L0	.SPRING, front fork	1	
35	1W1-23142-L0	.SEAT, sPrinG upper	1	
36	2X3-23191-M0	.BOOT	1	
37	341-92090-60	.BAND, boot	1	
38	5X3-23111-L0	.BOLT, caP	1	
39	4V4-23190-L0	.AIR VALVE COMP.	1	
40	3J2-23147-00	.O-RING	1	
41	509-23158-L0	.GASKET	1	
42	122-23129-00	.GASKET, drain Plug	1	
43	278-23181-50	.BOLT, hexaGon socket head	1	
44	122-23119-01	.PLUG, drain	1	
45	4V2-23194-L0	.SCREW, boot band	1	
46	4V5-23118-L1	.SPACER	1	
47	5X3-23340-L0-33	UNDER BRACKET COMP.	1	yamaha black
48	5X3-23181-L0	BOLT, hexaGon socket head	4	
49	3R4-23389-00	GUIDE, cable	1	

5X3100-2200

C14

FIG. 21 FUEL TANK



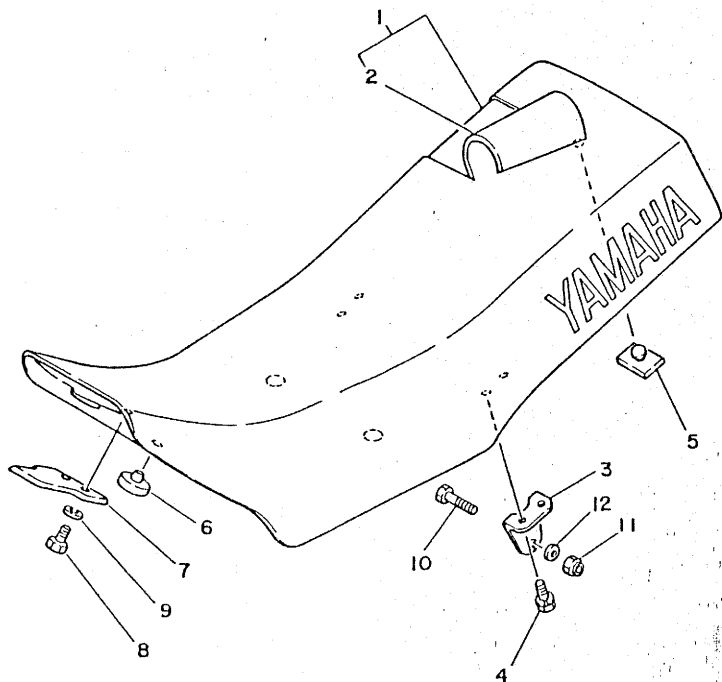
REF. NO.	PART NO.	DESCRIPTION	Q'TY	REMARKS
1	5X4-24110-10	FUEL TANK COMP.	1	white
2	1W1-24182-01	DAMPER, locatin& 2	2	
3	1W1-24144-01	HOLDER, damPer	2	
4	97301-06012	BOLT	4	
5	92901-06100	WASHER, sPrin&	4	
6	92901-06600	WASHER, Plate	4	
7	98902-06018	SCREW, bind	1	
8	3R3-24173-00	BAND, tank fittin& 1	1	
9	2K5-24500-00	FUEL COCK ASSY 1	1	
10	214-24512-00	.GASKET	1	
11	1A0-24512-00	.O-RING	1	
12	619-24535-00	.SCREW, lever fittin&	1	
13	90202-06010	WASHER, Plate	2	
14	90149-06011	SCREW	2	
15	5X7-24611-00	BODY, caP.	1	
16	5X7-24612-00	GASKET, caP	1	
17	90119-06022	BOLT, with washer	2	
18	90201-06407	WASHER, Plate	2	
19	90387-07393	COLLAR	2	
20	90445-11182	HOSE	1	
21	90467-10008	CLIP	2	
22	90445-09300	HOSE	1	
23	3R4-24181-00	DAMPER, locatin& 1	1	
24	1W1-24183-00	DAMPER, locatin& 3	1	
25	5X4-24240-19	GRAPHIC SET	1	
26	5X6-2412F-00	BRACKET, seat	1	
27	92501-06012	SCREW, Pan head	2	
28	92901-06100	WASHER, sPrin&	2	


5X3100-2210

C15

FIG. 22 SEAT

REF. NO.	PART NO.	DESCRIPTION	Q'TY	REMARKS
1	5X4-W2473-10	SEMI-DOUBLE SEAT ASSY	1	
2	5X4-24771-10	.COVER, semi-double seat	1	
3	1W1-24738-00	BRACKET, seat	2	
4	90101-06304	BOLT	4	
5	509-24724-00	DAMPER, seat	1	
6	116-24741-00	PAD, seat	2	
7	5X6-24748-00	BRACKET, seat	1	
8	97301-06012	BOLT	2	
9	92901-06100	WASHER, spring	2	
10	97301-06035	BOLT	2	
11	95601-06100	NUT, u	2	
12	92902-06200	WASHER	2	

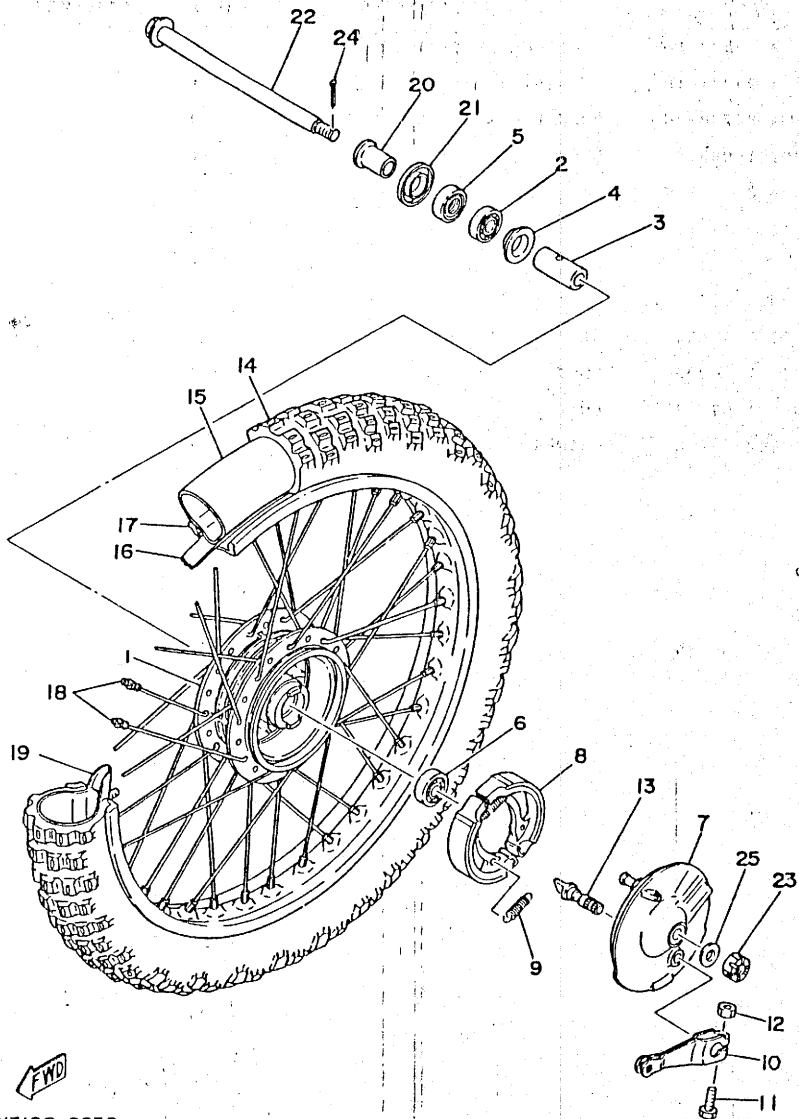


5X3100-2220

D2

FIG. 23 FRONT WHEEL

REF. NO.	PART NO.	DESCRIPTION	Q'TY	REMARKS
1	248-25111-00-98	HUB, front	1	low gloss black
2	93306-30102	BEARING (B6301)	1	
3	90560-12138	SPACER	1	
4	109-25315-00	FLANGE, sPacer	1	
5	93102-18008	OIL SEAL	1	
6	93306-30103	BEARING (B6301Z)	1	
7	2K5-25121-01-98	PLATE, brake shoe	1	low gloss black
8	5H0-25330-00	BRAKE SHOE COMP.	2	
9	90506-15260	SPRING, tension	2	
10	401-25155-11	LEVER, camshaft 1	1	
11	90101-06278	BOLT	1	
12	95301-06600	NUT	1	
13	122-25351-02	CAMSHAFT	1	
14	94130-21731	TIRE (3.00-21)	1	inoue
15	94230-21126	TUBE (3.00-21)	1	inoue
16	94330-21088	BAND, rim (3.00-21)	1	inoue
17	94416-21265	RIM (1.60-21)	1	
18	345-25104-01	SPOKE SET, front	1	
19	1T1-25194-00	SPACER, bead	1	
20	90387-125F8	COLLAR	1	
21	2K5-25118-00	COVER, hub dust	1	
22	4L0-25181-00	AXLE, wheel	1	
23	90171-12005	NUT, castle	1	
24	91401-30025	PIN, cotter	1	
25	90201-12174	WASHER, Plate	1	

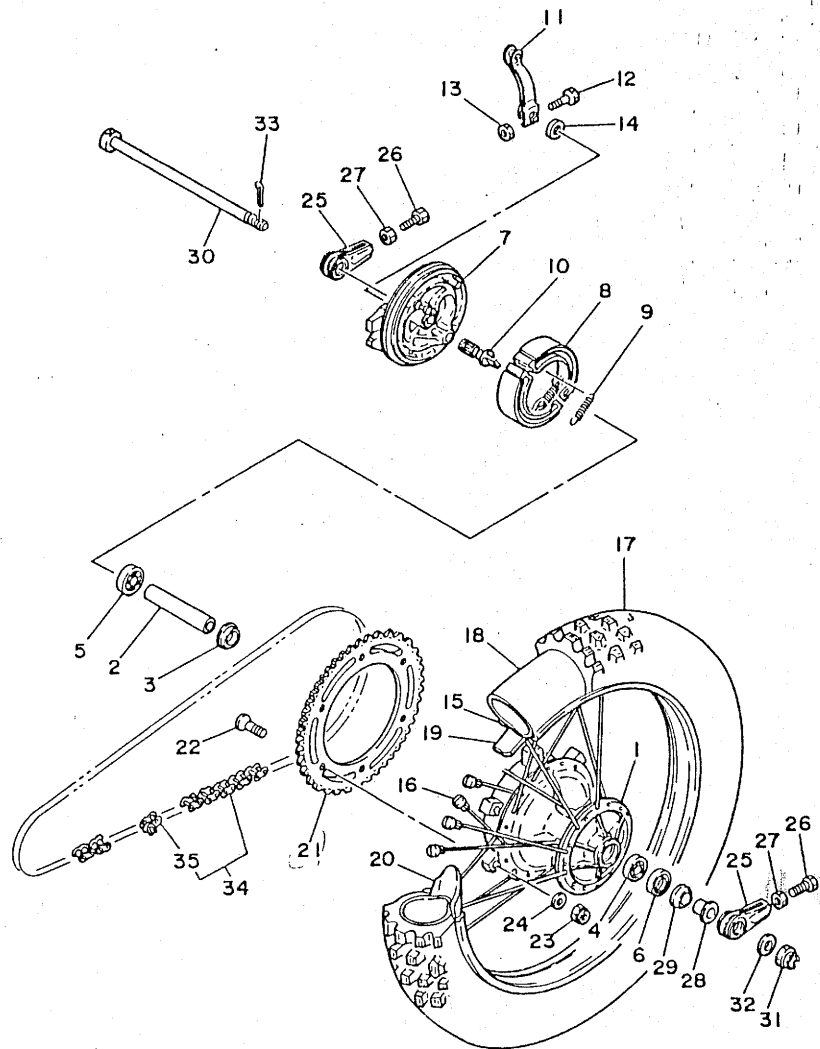


FWD

5X3100-2230

D3

FIG. 24 REAR WHEEL



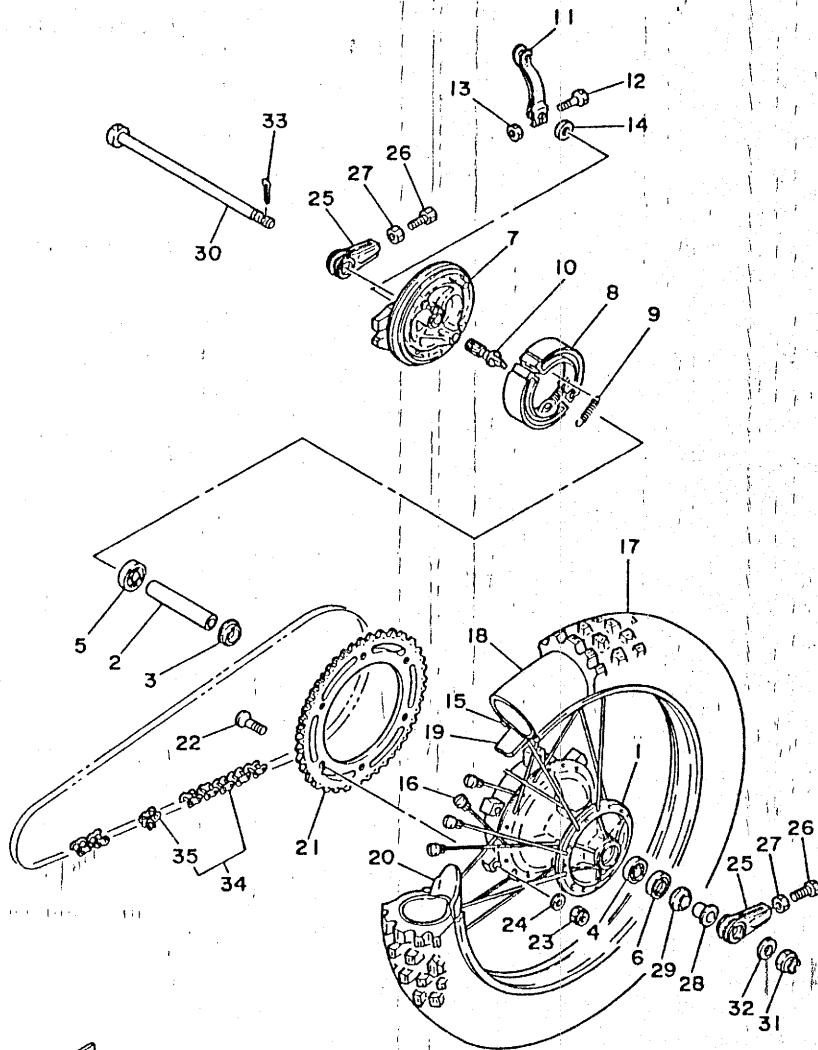
REF. NO.	PART NO.	DESCRIPTION	Q'TY	REMARKS
1	3R3-25311-02-98	HUB, rear	1	low gloss black
2	3R3-25317-00	SPACER, bearing	1	
3	183-25315-00	FLANGE, spacer	1	
4	93306-20205	BEARING (B6202)	1	
5	93306-30203	BEARING (B63022)	1	
6	93106-22017	OIL SEAL	1	
7	3R6-25321-00-98	PLATE, brake shoe	1	low gloss black
8	437-25330-01	BRAKE SHOE COMP.	2	
9	90506-16036	SPRING, tension	2	
10	401-25351-00	CAMSHAFT	1	
11	3R6-25355-01	LEVER, camshaft	1	
12	90101-06278	BOLT	1	
13	95301-06600	NUT	1	
14	148-25359-00	SEAL, camshaft	1	
15	94418-18312	RIM (1.85-18)	1	
16	4V2-25304-00	SPOKE SET, rear	1	
17	94111-18781	TIRE (110/90-18 61M)	1	
18	94235-18085	TUBE (3.50-18)	1	
19	94325-18043	BAND, rim (2.50-18)	1	
20	2X3-25394-00	SPACER, bead	2	
21	3R4-25450-00	SPROCKET, driven (50T)	1	UR STD
	3R4-25446-00	SPROCKET, driven (46T)	1	AP
	3R4-25448-00	SPROCKET, driven (48T)	1	AP
	3R4-25452-00	SPROCKET, driven (52T)	1	AP
22	90110-08038	BOLT, hexagon socket head	6	
23	90185-08089	NUT, self-locking	6	
24	92901-08200	WASHER, plain	6	
25	537-25388-00	PULLER, chain 1	2	

FWZ
5X3100-2240

D4

FIG. 24 REAR WHEEL

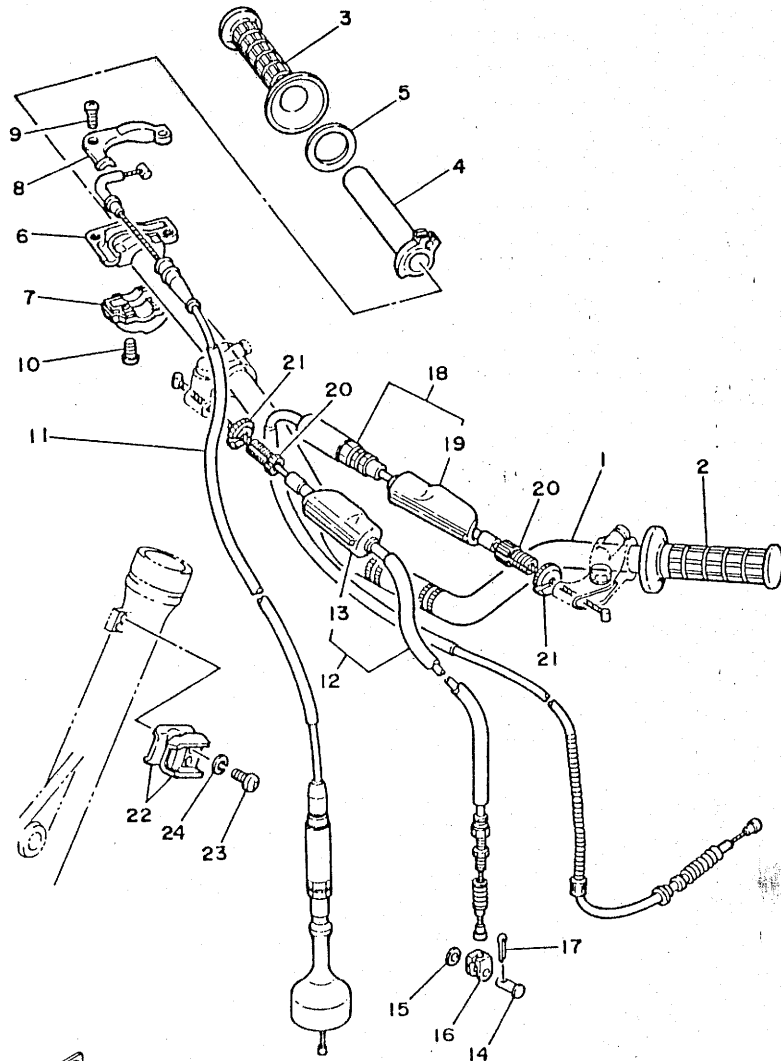
REF. NO.	PART NO.	DESCRIPTION	Q'TY	REMARKS
26	90101-08034	BOLT	2	
27	95301-08700	NUT	2	
28	90387-15791	COLLAR	1	
29	3R3-25367-00	COVER, hub dust	1	
30	5X3-25381-00	AXLE, wheel	1	
31	90171-14020	NUT, castle	1	
32	90201-15238	WASHER, Plate	1	
33	91401-30030	PIN, cotter	1	
34	94585-20106	CHAIN (DID520DS-106L)	1	
35	94685-20001	JOINT, chain	1	



5X3100-2240

D5

FIG. 25 HANDLEBAR, CABLE



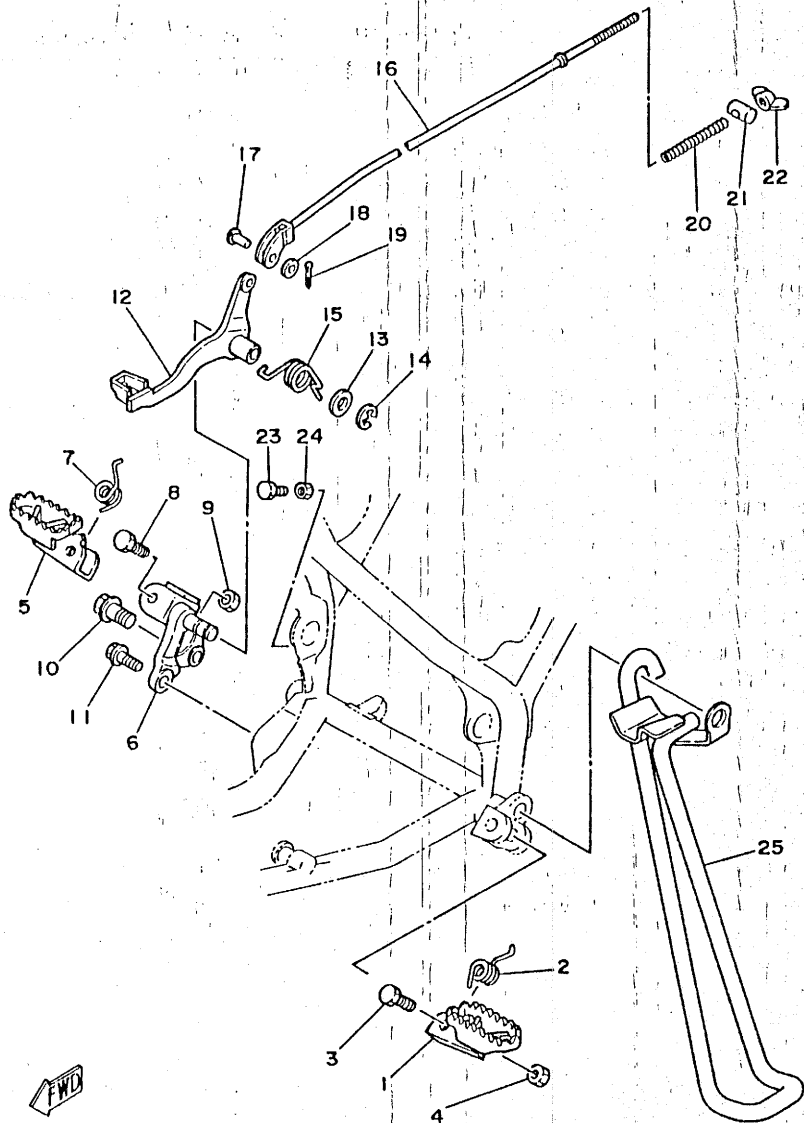
REF. NO.	PART NO.	DESCRIPTION	Q'TY	REMARKS
1	5X3-26111-00	HANDLEBAR	1	
2	4V4-26241-00	GRIP (L.H)	1	
3	3R9-26242-00	GRIP (R.H)	1	
4	322-26243-00	TUBE, throttle Guide	1	
5	1W1-26249-00	RING, leaf	1	
6	5X2-26281-00	CAP, grip upper	1	
7	322-26282-00-98	CAP, grip lower	1	low gloss black
8	5X2-2628H-00	CAP, wire	1	
9	98606-04012	SCREW, oval head	2	
10	98506-05016	SCREW, Pan head	2	
11	5X3-26311-00	CABLE, throttle 1	1	
12	5X3-26341-00	CABLE, brake	1	
13	382-26372-01	.COVER, handle lever 1	1	
14	90240-08012	PIN, clevis	1	
15	90201-08083	WASHER, Plate	1	
16	156-26347-00	JOINT, cable	1	
17	91401-20015	PIN, cotter	1	
18	5X3-26335-00	CABLE, clutch	1	
19	382-26372-01	.COVER, handle lever 1	1	
20	90123-08046	BOLT	2	
21	90179-08148	NUT	2	
22	90465-14192	CLAMP	2	
23	92501-06015	SCREW, Pan head	2	
24	92901-06100	WASHER, sPring	2	

FWD
5X3100-2250

D6

FIG. 26 STAND-FOOTREST

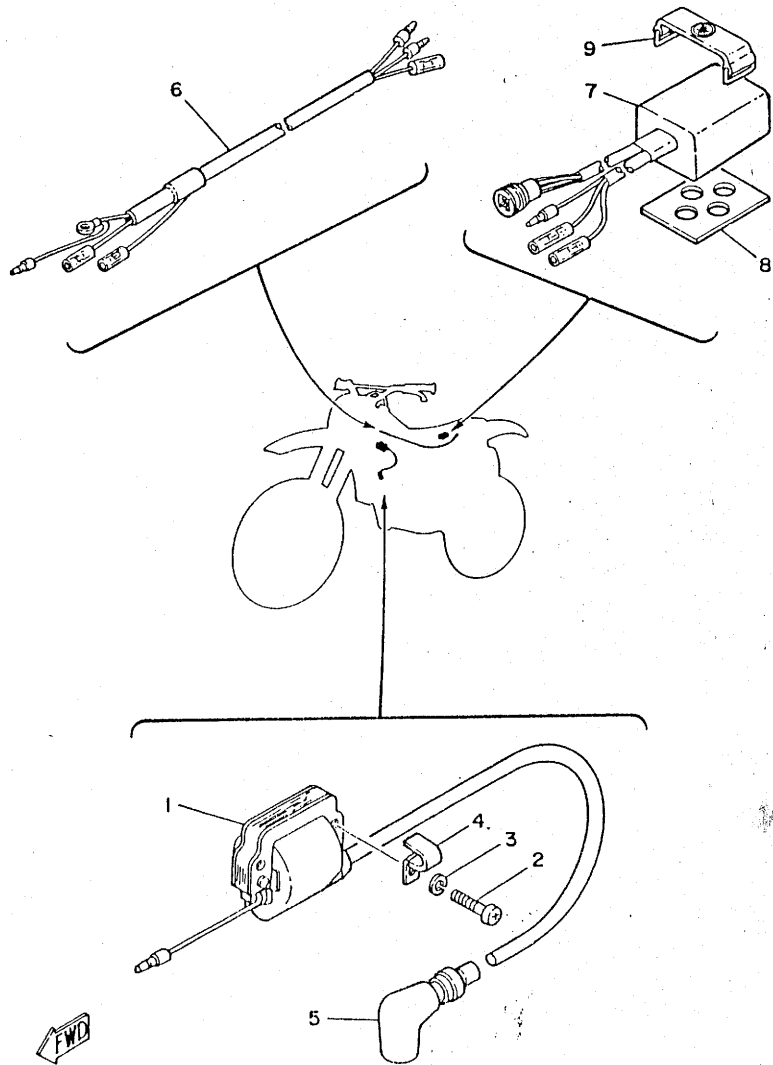
REF. NO.	PART NO.	DESCRIPTION	Q'TY	REMARKS
1	5X3-27411-00	FOOTREST 1	1	
2	90508-20023	SPRING, torsion	1	
3	90101-08428	BOLT	1	
4	95601-08100	NUT, u	1	
5	4V4-27421-00	FOOTREST 2	1	
6	5X3-27422-00	BRACKET, footrest 2	1	
7	90508-20023	SPRING, torsion	1	
8	90101-08428	BOLT	1	
9	95601-08100	NUT, u	1	
10	90105-12096	BOLT, washer based	1	
11	95811-10020	BOLT, flange	1	
12	5X3-27211-00-90	PEDAL, brake	1	uni chrome (black)
13	92902-12200	WASHER	1	
14	93430-09038	CIRCLIP	1	
15	90508-32544	SPRING, torsion	1	
16	5X3-27231-00	ROD, brake	1	
17	90240-06040	PIN, clevis	1	
18	92901-06200	WASHER, Plain	1	
19	91401-20015	PIN, cotter	1	
20	90501-10245	SPRING, compression	1	
21	90249-12008	PIN	1	
22	90175-06013	NUT, wing	1	
23	97301-06020	BOLT	1	
24	95301-06700	NUT	1	
25	5X3-27311-00	STAND, side	1	




5X3100-2260

D7

FIG. 27 ELECTRICAL 1

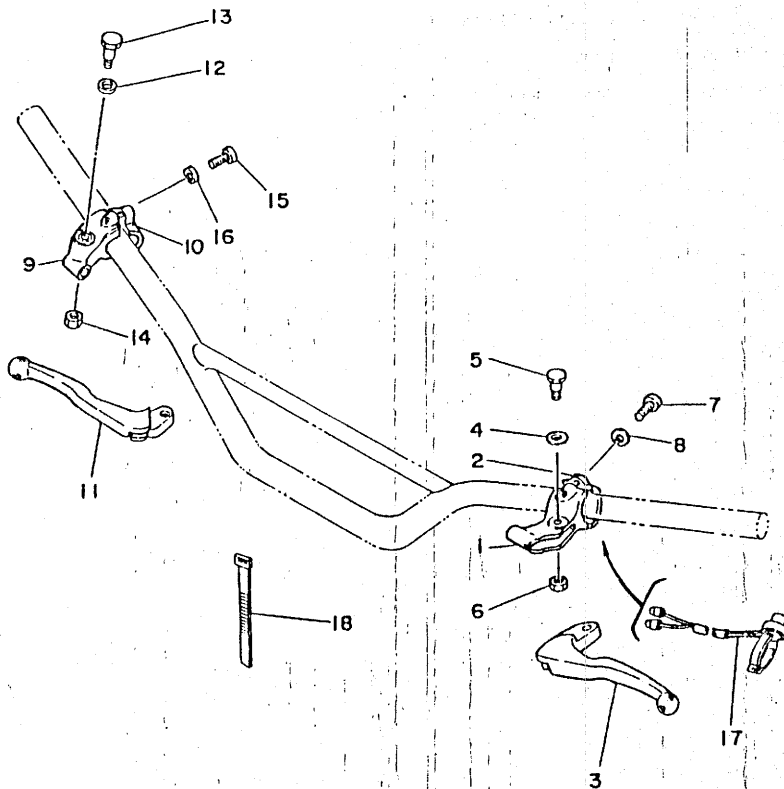


REF. NO.	PART NO.	DESCRIPTION	Q'TY	REMARKS
1	2K7-82310-10	IGNITION COIL ASSY	1	
2	92501-06025	SCREW, Pan head	2	
3	92901-06100	WASHER, sPring	2	
4	90462-05005	CLAMP	1	
5	3R0-82370-20	PLUG CAP ASSY	1	
6	5X3-82590-00	WIRE HARNESS ASSY	1	
7	5X2-85540-10	C.D.I. UNIT ASSY	1	
8	2K7-85547-00	DAMPER	1	
9	288-21376-00	BAND, tool	1	

 5X3100-2270

D8

FIG. 28 HANDLE SWITCH-LEVER



REF. NO.	PART NO.	DESCRIPTION	Q'TY	REMARKS
1	4V4-82911-00	HOLDER, lever 1	1	
2	4V4-82913-00	HOLDER, lever lower 1	1	
3	3M2-83912-00	LEVER 1	1	
4	90201-08083	WASHER, Plate	1	
5	90109-06410	BOLT	1	
6	95601-06100	NUT, u	1	
7	98506-05020	SCREW, Pan head	2	
8	92906-05100	WASHER, sPring	2	
9	4V4-82921-00	HOLDER, lever 2	1	
10	4V4-82913-00	HOLDER, lever lower 1	1	
11	3M2-83922-00	LEVER 2	1	
12	90201-08083	WASHER, Plate	1	
13	90109-06410	BOLT	1	
14	95601-06100	NUT, u	1	
15	98506-05020	SCREW, Pan head	1	
16	92906-05100	WASHER, sPring	1	
17	3R4-83976-00	SWITCH, handle 1	1	
18	437-83936-00	BAND, switch cord	2	

FWD
5X4100-2310

D9

REPAIR KIT

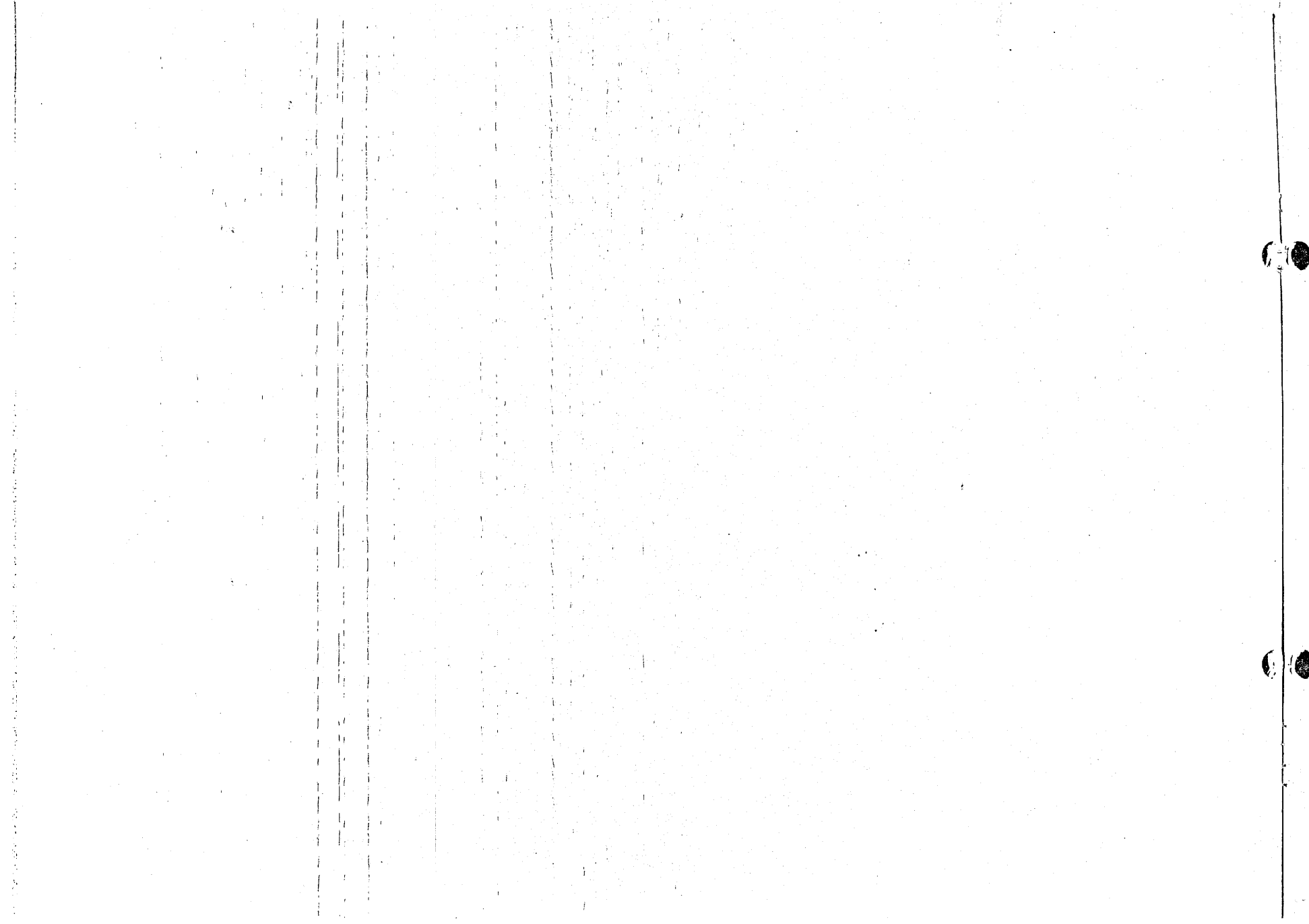
FIG. 29 REPAIR KIT

REF. NO.	PART NO.	DESCRIPTION	Q'TY	REMARKS
1	5X3-11630-00	PISTON ASSY (STD)	1	
2	5X3-11631-00-97	•PISTON (STD)	1	
3	5X3-11611-00	•RING, Piston	1	
4	1J4-11633-00	•PIN, Piston	1	
5	93450-17025	•CIRCLIP	2	
6	5X3-11630-10	PISTON ASSY (1ST O/S)	1	
7	5X3-11635-00	•PISTON (1ST O/S 0.25MM)	1	
8	5X3-11611-10	•RING, Piston	1	
9	1J4-11633-00	•PIN, Piston	1	
10	93450-17025	•CIRCLIP	2	
11	5X3-11630-20	PISTON ASSY (2ND O/S)	1	
12	5X3-11636-00	•PISTON (2ND O/S 0.50MM)	1	
13	5X3-11611-20	•RING, Piston	1	
14	1J4-11633-00	•PIN, Piston	1	
15	93450-17025	•CIRCLIP	2	
16	5X3-11630-30	PISTON ASSY (3RD O/S)	1	
17	5X3-11637-00	•PISTON (3RD O/S 0.75MM)	1	
18	5X3-11611-30	•RING, Piston	1	
19	1J4-11633-00	•PIN, Piston	1	
20	93450-17025	•CIRCLIP	2	
21	5X3-11630-40	PISTON ASSY (4TH O/S)	1	
22	5X3-11638-00	•PISTON (4TH O/S 1.00MM)	1	
23	5X3-11611-40	•RING, Piston	1	
24	1J4-11633-00	•PIN, Piston	1	
25	93450-17025	•CIRCLIP	2	
26	4V2-11650-00	CONNECTING ROD ASSY	1	
27	4V2-11651-00	•ROD, connectin	1	

D10

FIG. 29 REPAIR KIT

REF. NO.	PART NO.	DESCRIPTION	Q'TY	REMARKS
28	3M5-11681-00	.PIN, crank 1	1	
29	90209-22071	.WASHER	2	
30	93310-422H0	.BEARING, cylindrical	1	
31	93310-216J2	.BEARING, cylindrical	1	
32	5X3-W0001-00	GASKET KIT	1	
33	5X3-11181-00	.GASKET, cylinder head 1	1	
34	4V2-11351-00	.GASKET, cylinder	1	
35	311-13621-01	.GASKET, valve seat	1	
36	3R3-14613-00	.GASKET, exhaust Pipe	1	
37	90430-12038	.GASKET	1	
38	93210-14104	.O-RING	1	
39	4V2-15455-00	.GASKET 1	1	
40	3R3-15451-01	.GASKET, crankcase cover	1	



INDEX

NUMERICAL INDEX

PART NO.	REF. NO.	PART NO.	REF. NO.	PART NO.	REF. NO.
5X3-W0001-00	29-32	3M5-11681-00	2-5	214-14195-00	5-2
5X4-W1442-00	4-23		29-28	310-14196-00	5-26
5X4-W2473-10	22-1	5X3-13565-00	4-6	183-14197-01	5-23
5X3-11111-00	1-1	5X2-13581-00	4-12	2K5-14198-00	5-43
5X3-11181-00	1-2	1L8-13610-00	4-1	363-14198-00	5-31
	29-33	1L8-13613-00	4-2	4V3-1441K-00	4-13
5X3-11311-00	1-5	311-13616-01	4-3	5X3-14411-00	4-17
4V2-11351-00	1-6	311-13621-01	4-5	5X3-14412-10	4-18
	29-34		29-35	5X4-14452-00	4-19
3R3-11400-00	2-1	5X3-14101-00	5-1	5X3-14453-00	4-20
3R3-11412-00	2-2	537-14112-25	5-7	5X3-14455-00	4-28
4V2-11422-00	2-3	537-14115-00	5-7	1W1-14457-01	4-26
5X3-11611-00	2-9	1J4-14116-10	5-18	5X4-14458-00	4-23
	29-3	278-14117-00	5-6	5X4-14462-00	4-29
5X3-11611-10	2-9	537-14122-00	5-12	2X4-14468-00	4-24
	29-8	525-14123-00	5-36	5X3-14610-00	6-1
5X3-11611-20	2-9	537-14131-00	5-29	3R3-14613-00	6-2
	29-13	174-14134-00	5-38		29-36
5X3-11611-30	2-9	500-14135-00	5-39	5X4-14753-00	6-7
	29-18	537-14136-00	5-20	565-14771-00	6-4
5X3-11611-40	2-9	164-14137-00	5-19	5X3-15111-00	7-1
	29-23	363-14137-00	5-32	4V2-15121-00	7-2
5X3-11630-00	29-1	278-14141-52	5-10	3R3-15128-01	7-12
5X3-11630-10	29-6	193-14142-50	5-11	1G8-15362-00	8-5
5X3-11630-20	29-11	137-14143-36	5-8	2N4-15371-00	7-7
5X3-11630-30	29-16	137-14143-38	5-8	2K7-15383-00	11-27
5X3-11630-40	29-21	137-14143-40	5-8	3R3-15411-00	8-1
5X3-11631-00-97	2-8	537-14146-00	5-16	3R3-15421-00	8-9
	29-2	214-14147-00	5-14	3R3-15431-00	8-12
5X3-11631-00-98	2-8	354-14147-00	5-37	3R3-15451-01	8-2
		537-14153-00	5-9		29-40
1J4-11633-00	2-10	2K5-14155-00	5-30	4V2-15455-00	8-10
	29-4	2K5-14158-00	5-27		29-39
	29-9	127-14161-00	5-44	3R3-15618-01	9-18
	29-14	537-14161-00	5-13	5X3-15620-00	9-13
	29-19	537-14162-00	5-34	5X3-15621-00	9-14
	29-24	1M1-14169-00	5-28	3R3-15641-00	9-5
5X3-11635-00	2-8	174-14171-00	5-41	3R3-15651-01	9-1
	29-7	802-14173-00	5-42	248-15654-00	9-7
5X3-11636-00	2-8	802-14174-00	5-40	3R3-15660-00	9-4
	29-12	537-14175-00	5-33	3R3-15666-00	9-9
5X3-11637-00	2-8	537-14178-00	5-35	3R3-16111-00	10-1
	29-17	537-14181-16	5-21	3R3-16150-00	10-6
5X3-11638-00	2-8	537-14184-00	5-22	3R3-16300-00	10-5
	29-22	280-14185-00	5-15	537-16321-00	10-9
4V2-11650-00	29-26	537-14186-00	5-3	3R3-16325-00	10-8
4V2-11651-00	2-4	2K5-14187-00	5-5	1W1-16351-00	10-10
	29-27	168-14190-28	5-4	1W1-16356-01	10-23

NUMERICAL INDEX

PART NO.	REF. NO.	PART NO.	REF. NO.	PART NO.	REF. NO.
2X3-16357-00	10-18	5X3-22110-00-35	17-1	4V5-23118-L1	20-46
1W1-16358-00	10-20	5X6-22123-00	17-37	122-23119-01	20-21
1G8-16371-00	10-7	156-22127-00	17-10		20-44
3R3-16380-02	10-24	322-22128-01	17-9	5X3-23126-L0	20-2
5X4-17121-01	11-2		17-20	122-23129-00	20-19
3R3-17131-01	11-3	5X6-22129-00	18-34		20-42
3R3-17151-02	11-4	5X4-22141-00	17-12	5X3-23136-L0	20-25
3R3-17161-02	11-5		17-22	5X3-23141-L0	20-11
5X4-17211-01	11-9	5X3-22147-00	17-2		20-34
3R3-17221-01	11-10	1W1-22151-00	17-11	1W1-23142-L0	20-12
3R3-17231-01	11-11		17-21		20-35
3R3-17241-01	11-12	5X3-2217A-00	17-17	3R8-23144-L0	20-5
3R3-17251-02	11-13	5X3-2217F-00	17-29		20-28
3R3-17261-02	11-14	5X6-2217H-00	17-39	1W1-23145-L0	20-4
3R3-17411-00	11-1	4V4-22178-00	14-3		20-27
137-17417-00-05	9-2	5X6-2218A-00	17-44	3J2-23147-00	20-17
3R3-17421-00	11-8	3Y1-22184-01	17-6		20-40
1G8-17461-10	11-29	4V4-22184-00	14-4	3R8-23148-L0	20-6
6-7	11-29	5X4-22199-00	17-15		20-29
1W1-17461-20	11-29	5X3-22210-00	18-1	4A1-23156-00	20-3
3R3-17471-00	11-25	5X3-22212-00	18-19		20-26
5X4-18101-00	13-1	3R4-22213-00	18-17	509-23158-L0	20-18
5X4-18111-01	13-2	3R4-22214-00	18-20		20-41
1W6-18113-00	13-4	5X6-22216-00	18-3	3R6-23170-L0	20-8
3R3-18140-00	12-7	3R4-22221-01	18-16		20-31
5X4-18162-00	13-3	3R4-22223-00	18-22	3R6-23173-L0	20-9
1W1-18177-00	12-9	5X3-22224-00	18-21		20-32
3R4-18185-00	12-2	5X6-22226-00	18-12	278-23181-50	20-20
3R3-18511-00	12-10	3R4-22228-00	18-10		20-43
3R3-18512-00	12-11	5X4-22261-00	18-37	5X3-23181-L0	20-48
3R3-18513-00	12-12	3R3-22262-00	18-38	4V4-23190-L0	20-16
3R4-18531-00	12-14	5X3-22401-00	18-2		20-39
3R4-18535-00	12-15	5X3-22409-00	18-11	2X3-23191-M0	20-13
5X4-18540-00	12-1	4L0-22472-00	18-8		20-36
3R4-18561-00	12-5	3R4-22473-00	18-7	4V2-23194-L0	20-22
5X3-21110-00-33	14-1	3R4-22475-00	18-6		20-45
288-21376-00	27-9	5X3-22489-00	18-5	5X3-23340-L0-33	20-47
3R3-2148A-00	14-5	5X3-22493-00	18-9	3R4-23389-00	20-49
5X6-21511-10	15-1	5X3-22497-00	18-14	5X6-23395-10	19-16
3R3-21611-11	15-6	5X3-23102-L0	20-1	1W1-23416-00	19-10
5X3-21620-00	15-11	5X3-23103-L0	20-24	5X3-23435-00-98	19-1
5X3-21642-00	15-13	5X3-23110-L0	20-7	1E6-23441-00-98	19-6
5X3-21652-00	17-25		20-30	5X6-23485-10	19-12
5X4-21711-10-98	16-1	5X3-23111-L0	20-15	5X4-24110-10	21-1
5X4-21721-10-98	16-5		20-38	5X6-2412F-00	21-26
5X3-21737-10	4-30	1W1-23114-L0	20-10	1W1-24144-01	21-3
	16-6		20-33	3R3-24173-00	21-8
565-21746-00	15-12	4V5-23118-L1	20-23	3R4-24181-00	21-23

NUMERICAL INDEX

PART NO.	REF. NO.	PART NO.	REF. NO.	PART NO.	REF. NO.
431-24181-00	16- 7	5X2-26281-00	25- 6	90109-06410	28-13
1W1-24182-01	21- 2	322-26282-00-98	25- 7	90109-08512	6- 8
1W1-24183-00	21-24	5X3-26311-00	25-11	90109-10550	18-24
5X4-24240-19	21-25	5X3-26335-00	25-18	90109-10648	18-29
2K5-24500-00	21- 9	5X3-26341-00	25-12	90109-12646	17-33
1A0-24512-00	21-11	156-26347-00	25-16	90110-08038	24-22
214-24512-00	21-10	382-26372-01	25-13	90116-08394	1- 3
619-24535-00	21-12		25-19	90116-10278	1- 7
5X7-24611-00	21-15	5X3-27211-00-90	25-12	90119-06022	21-17
5X7-24612-00	21-16	5X3-27231-00	26-16	90123-08046	25-20
509-24724-00	22- 5	5X3-27311-00	26-25	90149-06011	21-14
1W1-24738-00	22- 3	5X3-27411-00	26- 1	90159-05011	10-12
116-24741-00	22- 6	4V4-27421-00	26- 5	90170-14171	10-17
5X6-24748-00	22- 7	5X3-27422-00	26- 6	90170-16111	17-14
5X4-24771-10	22- 2	5X3-28100-10	14-17		17-24
345-25104-01	23-18	1W1-28135-10	14-19	90170-20213	18-18
248-25111-00-98	23- 1	109-81328-11	3- 8	90171-12005	23-23
2K5-25118-00	23-21	2T4-82131-00	4-16	90171-14020	24-31
2K5-25121-01-98	23- 7	2K7-82310-10	27- 1	90175-06012	4-25
401-25155-11	23-10	3R0-82370-20	27- 5	90175-06013	26-22
4L0-25181-00	23-22	5X3-82590-00	27- 6	90179-08148	25-21
1T1-25194-00	23-19	4V4-82911-00	28- 1	90179-08299	1- 4
4V2-25304-00	24-16	4V4-82913-00	28- 2	90179-10257	3-15
3R3-25311-02-98	24- 1		28-10	90179-10272	9-20
109-25315-00	23- 4	4V4-82921-00	28- 9	90179-10292	1- 8
183-25315-00	24- 3	3M2-83912-00	28- 3	90179-12302	10- 3
3R3-25317-00	24- 2	3M2-83922-00	28-11	90179-16226	11-32
3R6-25321-00-98	24- 7	437-83936-00	3-16	90179-25033	19-11
437-25330-01	24- 8		15-14	90185-08089	14-13
5H0-25330-00	23- 8		28-18		24-23
122-25351-02	23-13	437-83936-10	3-17	90185-12061	17-35
401-25351-00	24-10	3R4-83976-00	28-17	90201-06042	13- 8
3R6-25355-01	24-11	5X3-85500-10	3- 1	90201-06052	4-31
148-25359-00	24-14	5X3-85510-11	3- 3		4-36
3R3-25367-00	24-29	5X3-85520-10	3- 4	90201-06067	8-14
5X3-25381-00	24-30	5X2-85540-10	27- 7	90201-06407	21-18
537-25388-00	24-25	2K7-85547-00	27- 8	90201-06557	15- 2
2X3-25394-00	24-20	5X3-85550-10	3- 2		15- 7
3R4-25446-00	24-21	2K7-85555-00	14-18		15-15
3R4-25448-00	24-21	90101-06278	23-11	90380-14095	16- 2
3R4-25450-00	24-21		24-12	90380-16098	16- 8
3R4-25452-00	24-21	90101-06304	22- 4	90384-16156	19-14
5X3-26111-00	25- 1	90101-08034	24-26	90384-18157	18-13
4V4-26241-00	25- 2	90101-08428	26- 3	90387-065F7	19-13
3R9-26242-00	25- 3		26- 8	90387-07393	21-19
322-26243-00	25- 4	90105-12096	26-10	90387-081A3	6-11
1W1-26249-00	25- 5	90105-14136	19- 5	90387-125F8	23-20
5X2-2628H-00	25- 8	90109-06410	28- 5	90387-15791	24-28

NUMERICAL INDEX

PART NO.	REF. NO.	PART NO.	REF. NO.	PART NO.	REF. NO.
90201-100E9	18-31	90387-163F6	17-18	91401-30030	24-33
90201-10430	18-26	90387-16781	7- 3	91401-40020	9-19
90201-120E6	17-34	90387-202A0	11-30	91401-40030	17-42
90201-12174	23-25	90430-06016	8- 8	91702-12040	9-17
90201-13202	14- 6	90430-12038	7-11	91830-21014	1- 9
90201-14217	10-26		29-37		7- 4
90201-15238	24-32	90445-07340	7- 8		8- 4
90201-15701	11-15	90445-09300	21-22	341-92090-60	20-14
90201-160F6	17-13	90445-11182	21-20		20-37
	17-23	90445-15612	4-14	92501-06012	21-27
90201-16243	17-41	90446-11180	13- 7	92501-06015	4-34
90201-17550	10-13	90460-43053	4-10		8-13
	10-15	90460-58141	4-11		15-16
90201-20266	11- 6	90460-75020	4-21		16- 3
90201-22555	11-17	90462-05005	4- 9		16- 9
90202-06010	21-13		27- 4		25-23
90204-12007	10- 2	90465-14192	25-22	92501-06020	3-12
90209-06187	15- 5	90467-10008	21-21		8-15
90209-18135	11-19	90467-16063	4-15	92501-06025	4-32
90209-22071	2- 6	90467-20030	4-27		19-15
	29-29	90468-26048	9- 6		27- 2
90214-09019	14-15	90480-22263	18-36	92501-08010	7-13
90215-14144	10-16	90480-22269	6-10	92502-06016	18-39
90215-16127	11-31	90501-10245	26-20	92506-06008	8- 7
90240-06040	26-17	90501-12081	9-15	92506-06025	8- 3
90240-08012	25-14	90501-20361	10-11		8-11
90243-08020	13- 6	90506-15260	23- 9	92701-06012	11-28
90249-12008	26-21	90506-16036	24- 9	92901-04100	3-10
90249-16154	17-40	90507-20030	6- 3	92901-04600	3-11
90250-06013	12-13	90508-14426	10-25	92901-05100	3- 6
90280-03017	2-18	90508-16558	13- 5		17- 4
90282-04036	12- 4	90508-20023	26- 2		17-28
90282-05038	2-17		26- 7	92901-05200	17- 5
90338-07011	7- 9	90508-26427	9-10		17-26
90338-12131	14-16	90508-26515	12- 8	92901-05600	3- 7
90339-13005	14- 2	90508-29361	13-13	92901-06100	3-13
90340-12059	7-10	90508-32544	26-15		4-33
90380-12094	18-28	90560-11189	13-12		4-35
	18-35	90560-12138	23- 3		6- 6
	17-32	90560-17190	10-14		15-17
90380-16098	17- 8	91316-06035	7- 5		16- 4
90384-16156	17-38	91316-06050	7- 6		16-10
90384-18157	18-13	91401-20015	25-17		21- 5
90387-065F7	19-13		26-19		21-28
90387-07393	21-19	91401-20025	18-27		22- 9
90387-081A3	6-11	91401-25020	17-36		25-24
90387-125F8	23-20		18-33		27- 3
90387-15791	24-28	91401-30025	23-24	92901-06200	8-16

NUMERICAL INDEX

PART NO.	REF. NO.	PART NO.	REF. NO.	PART NO.	REF. NO.
92901-06200	10-21	93317-22208	17-19	95601-10100	18-32
	26-18	93332-00008	19- 9	95602-08100	14-10
92901-06600	3-14	93332-00023	19- 8	95701-08100	19- 4
	4- 8	93410-17037	9-11	95802-08040	17-16
	21- 6	93410-20038	11- 7	95811-08100	14-11
92901-08200	14-14	93410-22039	11-18	95811-08165	14-12
	16-11	93410-30012	9- 8	95811-10020	26-11
	24-24	93430-09038	26-14	95821-08035	19- 7
92902-04100	5-25	93430-10016	13-14	95821-08040	19- 2
92902-06100	15- 4	93440-15012	9- 3	95821-08055	19- 3
	15- 9		11-16	97301-06012	6- 5
	18-40	93440-50078	18-23		21- 4
92902-06200	22-12	93450-17025	2-11		22- 8
92902-06600	18-41		29- 5	97301-06016	15- 8
92902-12200	26-13		29-10	97301-06020	26-23
92906-05100	28- 8		29-15	97301-06025	4- 7
	28-16		29-20		
93101-12060	13-10		29-25	97301-06035	22-10
93101-17062	9-12	93503-16010	10-19	97302-06020	15- 3
93102-18008	23- 5	93507-32009	9-16	97302-08050	14- 9
93102-25258	2-16	93604-16092	10-29	97321-06012	11-26
93102-26042	11-24	93604-26132	18-15	97321-06020	13- 9
93103-28126	2-15	93608-25150	13-11	97602-03108	4- 4
93104-14004	10-27	93700-06004	17-43	98501-04005	18- 4
93106-22017	24- 6		18-30	98501-04008	3- 9
93109-20029	17-31	94111-18781	24-17	98501-04016	5-24
93109-22019	17- 7	94130-21731	23-14	98501-05012	17- 3
93210-14104	8- 6	94230-21126	23-15		17-27
	29-38	94235-18085	24-18	98501-05030	3- 5
93210-20027	10- 4	94325-18043	24-19	98506-05016	25-10
93306-00422	12- 3	94330-21088	23-16	98506-05020	28- 7
93306-20107	12-16	94416-21265	23-17		28-15
93306-20205	24- 4	94418-18312	24-15	98606-04012	25- 9
93306-20529	2-14	94585-20106	24-34	98701-05016	12- 6
93306-30102	23- 2	94685-20001	24-35	98902-06018	21- 7
93306-30103	23- 6		1-10		
93306-30203	24- 5	95301-06600	10-22		
93306-30303	11-20		23-12		
93306-30406	2-13		24-13		
93306-30411	11-23	95301-06700	26-24		
93310-216J2	2-12	95301-08700	24-27		
	29-31	95302-10700	18-25		
93310-422H0	2- 7	95601-06100	15-10		
	29-30		22-11		
93311-31515	11-22		28- 6		
93311-41530	11-21		28-14		
93315-21429	10-28	95601-08100	26- 4		
93317-22023	17-30		26- 9		

PARTS NAME INDEX

DESCRIPTION	REF. NO.
AIR VALVE COMP.	20-16
*	20-39
ARM, float	5- 5
ARM, relay	17-17
AXLE, drive	11- 8
AXLE, main (13T)	11- 1
AXLE, wheel	23-22
*	24-30
BALL	9-16
*	10-19
BAND	4-28
BAND, battery	4-16
BAND, boot	20-14
*	20-37
BAND, rim (2.50-18)	24-19
BAND, rim (3.00-21)	23-16
BAND, switch cord	3-16
*	3-17
*	15-14
*	28-18
BAND, tank fillinG 1	21- 8
BAND, tool	27- 9
BAR, shift fork Guide 1	12-14
BAR, shift fork Guide 2	12-15
BEARING	12- 3
*	19- 8
*	19- 9
BEARING (B6201)	12-16
BEARING (B6202)	24- 4
BEARING (B0205C4)	2-14
BEARING (B6301)	23- 2
BEARING (B6301Z)	23- 6
BEARING (B6302Z)	24- 5
BEARING (B6303Z)	11-20
BEARING (B6304)	11-23
BEARING (B6304C3)	2-13
BEARING, cylindrical	2- 7
*	2-12
*	10-28
*	11-21
*	11-22
*	17-19
*	17-30
*	29-30
*	29-31
BODY, caP	21-15
BODY, float chamber 1	5-21
BOLT	4- 7

PARTS NAME INDEX

DESCRIPTION	REF. NO.
BOLT	6- 5
*	6- 8
*	7- 5
*	7- 6
*	11-26
*	13- 9
*	14- 9
*	15- 3
*	15- 8
*	17-33
*	18-24
*	18-29
*	21- 4
*	22- 4
*	22- 8
*	22-10
*	23-11
*	24-12
*	24-26
*	25-20
*	26- 3
*	26- 8
*	26-23
*	28- 5
*	28-13
BOLT, caP	20-15
*	20-38
BOLT, flange	14-11
*	14-12
*	17-16
*	19- 2
*	19- 3
*	19- 7
*	26-11
BOLT, hexagon socket head	20-20
*	20-43
*	20-48
*	24-22
BOLT, starter lever	5-34
BOLT, stopPer	12- 9
BOLT, stud	1- 3
*	1- 7
BOLT, washer based	19- 5
*	26-10
BOLT, with washer	21-17
BOOT	20-13
*	20-36

PARTS NAME INDEX

DESCRIPTION	REF. NO.
BOSS, clutch	10- 7
BOSS, kick crank	9-14
BRACKET, footrest 2	26- 6
BRACKET, seat	21-26
*	22- 3
*	22- 7
BRAKE SHOE COMP.	23- 8
*	24- 8
BREATHER	7- 7
BUMP, stop	18- 9
BUSH	14- 4
*	17- 6
BUSH 1	17-37
BUSH, bimetal formed	17-38
*	18-13
BUSH, rear shock absorber	18- 3
BUSH, shock absorber lower	18-12
BUSH, solid	17- 8
*	17-32
*	18-28
*	18-35
C.D.I. MAGNETO ASSY	3- 1
C.D.I. UNIT ASSY	27- 7
CABLE, brake	25-12
CABLE, clutch	25-18
CABLE, throttle 1	25-11
CAMSHAFT	23-13
*	24-10
*	5-28
CAP	18- 8
CAP, case	4-18
CAP, cleaner case 1	25- 7
CAP, grip lower	25- 6
CAP, grip upper	5-40
CAP, PlunGer	25- 8
CAP, wire	5- 1
CARBURETOR ASSY 1	4-17
CASE, air cleaner 1	24-34
CHAIN (D1D520DS-106L)	4-12
CHAMBER, air	2-11
CIRCLIP	9- 3
*	9- 8
*	9-11
*	11- 7
*	11-16
*	11-18
*	13-14
*	18-23

PARTS NAME INDEX

DESCRIPTION	REF. NO.
CIRCLIP	26-14
*	29-5
*	29-10
*	29-15
*	29-20
*	29-25
CLAMP	3-8
*	4-9
*	25-22
*	27-4
CLAMP, hose	4-10
*	4-11
*	4-21
CLIP	4-15
*	4-27
*	5-19
*	5-32
*	9-6
*	21-21
CLIP, oil seal	20-3
*	20-26
CLUTCH ASSY	10-5
COIL, charge	3-4
COLLAR	6-11
*	7-3
*	11-30
*	17-18
*	19-13
*	21-19
*	23-20
*	24-28
CONNECTING ROD ASSY	29-26
COVER	18-16
COVER, ball race 2	19-10
COVER, crankcase 1	8-1
COVER, crankcase 2	8-9
COVER, crankcase 3	8-12
COVER, dust	17-39
COVER, dust seal	20-6
*	20-29
COVER, handle lever 1	25-13
*	25-19
COVER, hub dust	23-21
*	24-29
COVER, kick lever	9-18
COVER, Plunger cap	5-42
COVER, semi-double seat	22-2
COVER, shift Pedal	13-4

PARTS NAME INDEX

DESCRIPTION	REF. NO.
COVER, side 1	16-1
COVER, side 2	16-5
COVER, thrust 1	17-9
*	17-20
COVER, thrust 2	18-34
CRANK 1	2-2
CRANK 2	2-3
CRANKCASE 1	7-1
CRANKCASE 2	7-2
CRANKSHAFT ASSY	2-1
CROWN, handle	19-1
CYLINDER COMP., front fork	20-8
*	20-31
CYLINDER 1	1-5
DAMPER	27-8
DAMPER, locatin& 1	16-7
*	21-23
DAMPER, locatin& 2	21-2
DAMPER, locatin& 3	21-24
DAMPER, seat	22-5
DAMPER, sub tank	18-37
DRIVEN GEAR ASSY (62T)	10-6
DUMPER SUB ASSY	18-2
ELEMENT, air cleaner	4-22
EMBLEM	4-13
*	4-30
*	16-6
*	19-16
EMBLEM, rear arm	17-44
EXHAUST PIPE ASSY 1	6-1
FENDER, front	15-1
FENDER, rear	15-6
FLANGE, spacer	23-4
*	24-3
FLOAT	5-15
FOOTREST 1	26-1
FOOTREST 2	26-5
FORK, shift 1	12-10
FORK, shift 2	12-11
FORK, shift 3	12-12
FRAME COMP	14-1
FRONT FORK ASSY (L.H)	20-1
FRONT FORK ASSY (R.H)	20-24
FUEL COCK ASSY 1	21-9
FUEL TANK COMP.	21-1
GASKET	5-31
*	5-43
*	7-11

PARTS NAME INDEX

DESCRIPTION	REF. NO.
GASKET	8-8
*	20-10
*	20-18
*	20-33
*	20-41
*	21-10
*	29-37
GASKET KIT	29-32
GASKET 1	8-10
*	29-39
GASKET, cap	21-16
GASKET, crankcase cover	8-2
*	29-40
GASKET, cylinder	1-6
*	29-34
GASKET, cylinder head 1	1-2
*	29-33
GASKET, drain Plug	20-19
*	20-42
GASKET, exhaust Pipe	6-2
*	29-36
GASKET, float chamber	5-22
GASKET, valve seat	4-5
*	29-35
GEAR, kick (25T)	9-5
GEAR, Primary drive (18T)	10-1
GEAR, sprocket idle (25T)	9-1
GEAR, 1st wheel (32T)	11-9
GEAR, 2nd Pinion (14T)	11-2
GEAR, 2nd wheel	11-10
GEAR, 3rd Pinion	11-3
GEAR, 3rd wheel	11-11
GEAR, 4th wheel	11-12
GEAR, 5th Pinion	11-4
GEAR, 5th wheel	11-13
GEAR, 6th Pinion	11-5
GEAR, 6th wheel	11-14
GRAPHIC SET	21-25
GRIP (L.H)	25-2
GRIP (R.H)	25-3
GROMMET	6-10
*	18-36
GUARD, flap	15-13
GUIDE	4-23
GUIDE, cable	20-49
GUIDE, spring 1	18-20
GUIDE, spring 2	18-21
HANDLEBAR	25-1

PARTS NAME INDEX

DESCRIPTION	REF. NO.
HEAD, cylinder 1	1- 1
HOLDER	7-12
HOLDER, damper	21- 3
HOLDER, guide	5-30
HOLDER, handle upper	19- 6
HOLDER, kick gear	9- 7
HOLDER, lever lower 1	28- 2
*	28-10
HOLDER, lever 1	28- 1
HOLDER, lever 2	28- 9
HOLDER, sub tank	18-38
HOSE	4-14
*	7- 8
*	13- 7
*	21-20
*	21-22
HOUSING, seal ring	18- 7
HUB, front	23- 1
HUB, rear	24- 1
IGNITION COIL ASSY	27- 1
INNER TUBE COMP.1	20- 7
*	20-30
JET, main (#180)	5- 8
JET, main (#190)	5- 8
JET, main (#200)	5- 8
JET, pilot (#50.0)	5-11
JOINT, air cleaner 1	4-20
JOINT, cable	25-16
JOINT, carburetor	4- 6
JOINT, chain	24-35
KEY, straight	2-17
*	12- 4
KEY, woodruff	2-18
KICK AXLE ASSY	9- 4
KICK CRANK ASSY	9-13
LEVER 1	28- 3
LEVER 2	28-11
LEVER, camshaft	24-11
LEVER, camshaft 1	23-10
LEVER, starter 1	5-33
MUD GUARD COMP.	15-11
NEEDLE	5-18
NEEDLE VALVE ASSY	5- 4
NIPPLE, grease	17-43
*	18-30
NOZZLE, main	5-10
NUT	1- 4
*	1- 8

PARTS NAME INDEX

DESCRIPTION	REF. NO.
NUT	3-15
*	9-20
*	10- 3
*	10-17
*	10-22
*	11-32
*	17-14
*	17-24
*	18-18
*	18-25
*	19-11
*	23-12
*	24-13
*	24-27
*	25-21
*	26-24
NUT, adjusting	18-14
NUT, cable adjusting	5-44
NUT, castle	23-23
*	24-31
NUT, flange	19- 4
NUT, self-locking	14-13
*	17-35
*	24-23
NUT, throttle screw	5-13
NUT, u	14-10
*	15-10
*	18-32
*	22-11
*	26- 4
*	26- 9
*	28- 6
*	28-14
NUT, wing	4-25
*	26-22
O-RING	5-14
*	5-37
*	8- 6
*	10- 4
*	20-17
*	20-40
*	21-11
*	29-38
OIL SEAL	2-15
*	2-16
*	9-12
*	10-27
*	11-24

PARTS NAME INDEX

DESCRIPTION	REF. NO.
OIL SEAL	13-10
*	17- 7
*	17-31
*	20- 4
*	20-27
*	23- 5
*	24- 6
PAD, seat	22- 6
PEDAL, brake	26-12
PEDAL, shift	13- 2
*	13- 3
PIN	13- 6
*	17-40
*	26-21
PIN, clevis	9-17
*	25-14
*	26-17
PIN, cotter	9-19
*	17-36
*	17-42
*	18-27
*	18-33
*	23-24
*	24-33
*	25-17
*	26-19
PIN, crank 1	2- 5
*	29-28
PIN, dowel	1- 9
*	7- 4
*	8- 4
*	10-29
*	13-11
*	18-15
PIN, float	5- 3
PIN, piston	2-10
*	29- 4
*	29- 9
*	29-14
*	29-19
*	29-24
PIN, straight	12-13
PIPE	5-23
*	5-26
PISTON (STD)	2- 8
*	2- 8
*	29- 2

PARTS NAME INDEX

DESCRIPTION	REF. NO.
PISTON (1ST O/S 0.25MM)	2- 8
*	29- 7
PISTON (2ND O/S 0.50MM)	2- 8
*	29-12
PISTON (3RD O/S 0.75MM)	2- 8
*	29-17
PISTON (4TH O/S 1.00MM)	2- 8
*	29-22
PISTON ASSY (STD)	29- 1
PISTON ASSY (1ST O/S)	29- 6
PISTON ASSY (2ND O/S)	29-11
PISTON ASSY (3RD O/S)	29-16
PISTON ASSY (4TH O/S)	29-21
PLATE	5-16
PLATE, bearing cover	11-27
PLATE, brake shoe	23- 7
*	24- 7
PLATE, clutch 2	10- 8
PLATE, cover	11-25
PLATE, element fitting	4-24
PLATE, friction	10- 9
PLATE, number	19-12
PLATE, Pressure 1	10-10
PLATE, Push	10-20
PLATE, side 1	12- 5
PLATE, starter lever	5-35
PLUG	7- 9
*	14- 2
*	14-16
PLUG CAP ASSY	27- 5
PLUG, drain	20-21
*	20-44
PLUG, oil level	8- 5
PLUG, screw	5- 7
PLUG, spark (CHAMPION N-84)	1-10
PLUG, straight screw	7-10
PLUNGER, starter	5-41
PROTECTOR	17-25
PROTECTOR, chain	17- 2
PULLER, chain 1	24-25
PULLER, rotor	14-18
PUSH LEVER ASSY	10-24
REAR ARM COMP.	17- 1
REED VALVE ASSY	4- 1
REED, valve	4- 2
RIM (1.60-21)	23-17
RIM (1.85-18)	24-15
RING, leaf	25- 5

PARTS NAME INDEX

DESCRIPTION	REF. NO.
RING, Piston	2- 9
*	2- 9
*	2- 9
*	2- 9
*	2- 9
*	2- 9
*	29- 3
*	29- 8
*	29-13
*	29-18
*	29-23
ROD, brake	26-16
ROD, connecting	2- 4
*	29-27
ROD, connecting 1	17-29
ROD, Push	18- 5
ROD, Push 1	10-23
ROD, Push 2	10-18
ROTOR ASSY	3- 2
SCREW	21-14
SCREW, air adjusting	5-36
SCREW, bind	21- 7
SCREW, boot band	20-22
*	20-45
SCREW, flat head	11-28
*	12- 6
SCREW, lever fitting	21-12
SCREW, oval head	25- 9
SCREW, Pan head	3- 5
*	3- 9
*	3-12
*	4-32
*	4-34
*	5-24
*	7-13
*	8- 3
*	8- 7
*	8-11
*	8-13
*	8-15
*	15-16
*	16- 3
*	16- 9
*	17- 3
*	17-27
*	18- 4
*	18-39
*	19-15
*	21-27

PARTS NAME INDEX

DESCRIPTION	REF. NO.
SCREW, Pan head	25-10
*	25-23
*	27- 2
*	28- 7
*	28-15
SCREW, Pan head with washer	4- 4
SCREW, throttle	5-12
SCREW, with washer	10-12
SEAL	4-19
*	4-26
*	4-29
SEAL, camshaft	24-14
SEAL, dust	18- 6
*	20- 5
*	20-28
SEAL, Guard	17-11
*	17-21
SEAL, mud Guard	15-12
SEAT, spring	5-20
SEAT, spring lower	18-22
SEAT, spring upper	18-17
*	20-12
*	20-35
SEGMENT	12- 2
SEMI-DOUBLE SEAT ASSY	22- 1
SHAFT	14- 5
SHAFT, Pivot	17-12
*	17-22
SHIFT CAM ASSY	12- 1
SHIFT SHAFT ASSY	13- 1
SHIM (0.3T)	17-10
SHIM (0.5T)	9- 2
SHOCK ABSORBER ASSY, rear	18- 1
SILENCER, exhaust	6- 7
SPACER	9- 9
*	10-14
*	13-12
*	20-23
*	20-46
*	23- 3
SPACER, bead	23-19
*	24-20
SPACER, bearing	24- 2
SPANNER, special	14-19
SPINDLE, taper	20- 9
*	20-32
SPOKE SET, front	23-18
SPOKE SET, rear	24-16

PARTS NAME INDEX

DESCRIPTION	REF. NO.
SPRING	18-19
SPRING, air adjustin&	5-38
SPRING, compression	9-15
*	10-11
*	26-20
SPRING, front fork	20-11
*	20-34
SPRING, Plunger	5-39
SPRING, tension	6- 3
*	23- 9
*	24- 9
SPRING, throttle valve	5-29
SPRING, torsion	9-10
*	10-25
*	12- 8
*	13- 5
*	13-13
*	26- 2
*	26- 7
*	26-15
SPROCKET, drive (11T)	11-29
SPROCKET, drive (12T)	11-29
SPROCKET, drive (13T)	11-29
SPROCKET, driven (46T)	24-21
SPROCKET, driven (48T)	24-21
SPROCKET, driven (50T)	24-21
SPROCKET, driven (52T)	24-21
STAND, side	26-25
STATOR ASSY	3- 3
STAY, muffler 1	6- 4
STOPPER LEVER ASSY	12- 7
STOPPER, reed valve	4- 3
SUPPORT, bump stop	18-10
SUPPORT, chain	17-15
SWITCH, handle 1	28-17
TENSIONER	14- 3
TIRE (110/90-18 61M)	24-17
TIRE (3.00-21)	23-14
TOOL KIT	14-17
TDP, mixing chamber	5-27
TUBE (3.00-21)	23-15
TUBE (3.50-18)	24-18
TUBE, outer 1	20- 2
TUBE, outer 2	20-25
TUBE, throttle Guide	25- 4
UNDER BRACKET COMP.	20-47
UPPER BRACKET SUB ASSY	18-11
VALVE, throttle 1	5-17

PARTS NAME INDEX

DESCRIPTION	REF. NO.
WASHER	2- 6
*	11-19
*	15- 5
*	18-41
*	22-12
*	26-13
*	29-29
*	14-15
WASHER, claw	10-16
WASHER, lock	11-31
*	5- 9
WASHER, main Jet	5- 2
WASHER, needle valve	8-16
WASHER, Plain	10-21
*	14-14
*	16-11
*	17- 5
*	17-26
*	24-24
*	26-18
*	3- 7
WASHER, Plate	3-11
*	3-14
*	4- 8
*	4-31
*	4-36
*	6- 9
*	8-14
*	10-13
*	10-15
*	10-26
*	11- 6
*	11-17
*	13- 8
*	14- 6
*	14- 7
*	14- 8
*	15- 2
*	15- 7
*	15-15
*	16- 2
*	16- 8
*	17-13
*	17-23
*	17-34
*	17-41
*	18-26
*	18-31

PARTS NAME INDEX

DESCRIPTION	REF. NO.
WASHER, Plate	19-14
*	21- 6
*	21-13
*	21-18
*	23-25
*	24-32
*	25-15
*	28- 4
*	28-12
*	11-15
WASHER, Plate (1.0T)	5- 6
WASHER, Plug screw	3- 6
WASHER, sPring	3-10
*	3-13
*	4-33
*	4-35
*	5-25
*	6- 6
*	10- 2
*	15- 4
*	15- 9
*	15-17
*	16- 4
*	16-10
*	17- 4
*	17-28
*	18-40
*	21- 5
*	21-28
*	22- 9
*	25-24
*	27- 3
*	28- 8
*	28-16
*	27- 6
WIRE HARNESS ASSY	27- 6

—MEMO—

A series of horizontal dotted lines for writing, spanning the width of the page.

Vertical text on the right edge, possibly a page number or reference code, including the number '13'.

第 1 頁

第 1 頁

第 1 頁

RIGHT: ALL RIGHTS RESERVED
NO PART OF THIS PUBLICATION MAY BE
REPRODUCED WITHOUT PERMISSION.



YAMAHA

YAMAHA MOTOR CO., LTD.
2500 SHINGAI IWAIA-SHI SHIZUOKA-KEN JAPAN

PRINTED IN JAPAN
First edition Nov., 1981

TG